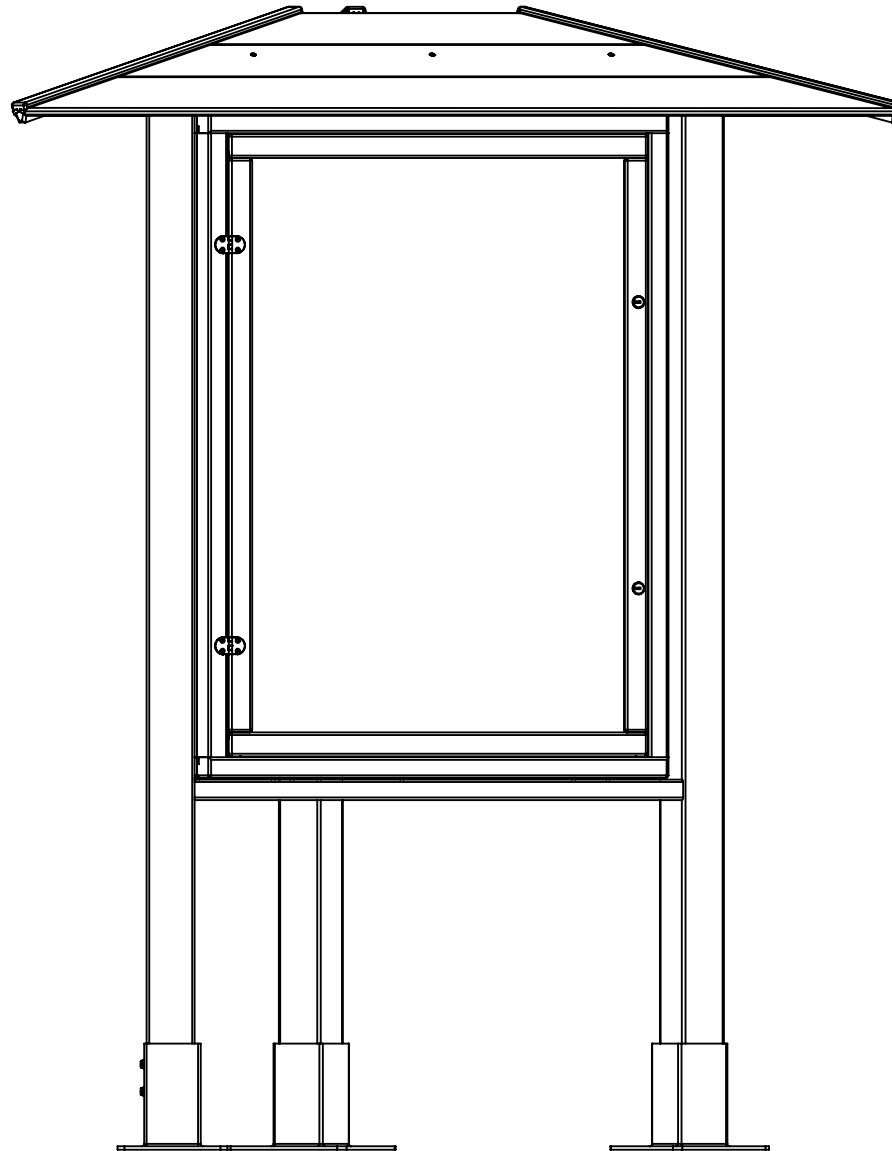
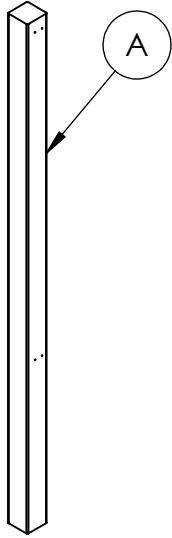


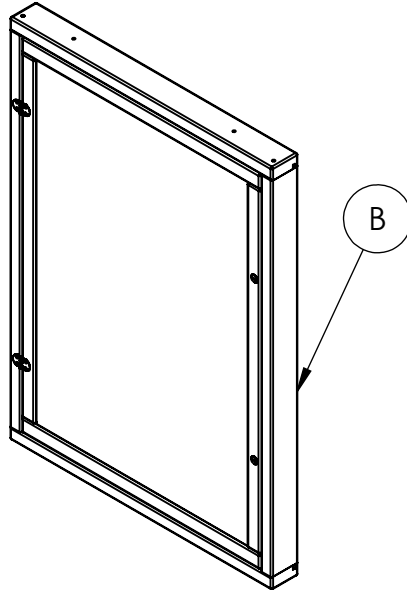
3 SIDED KIOSK INSTRUCTIONS



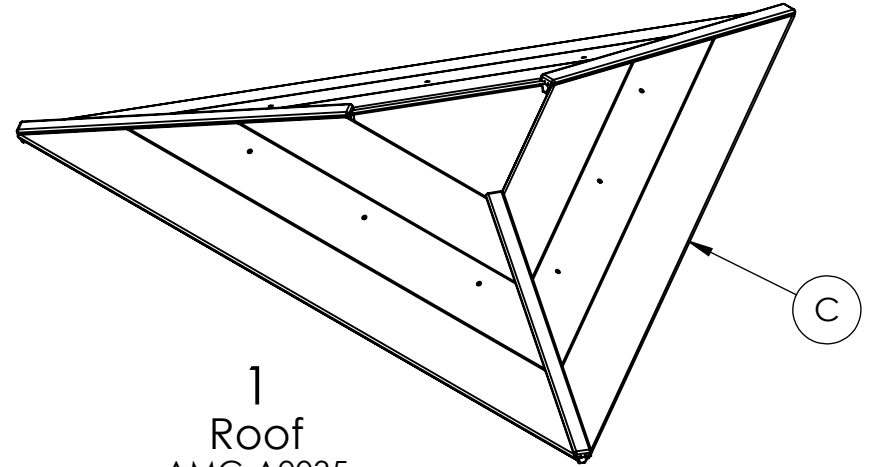
3 SIDED KIOSK INSTRUCTIONS



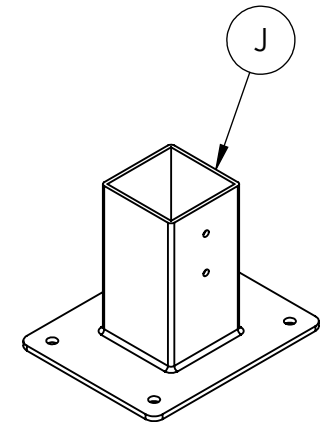
3
4 x 4 Posts
AMC-P0097



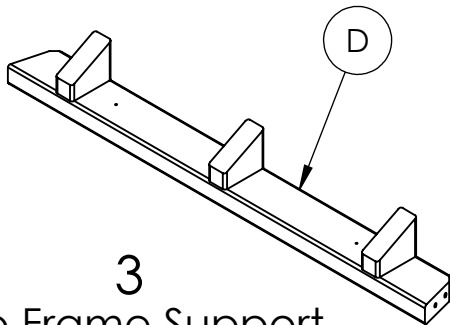
3
Message Centers
AMC-A0034



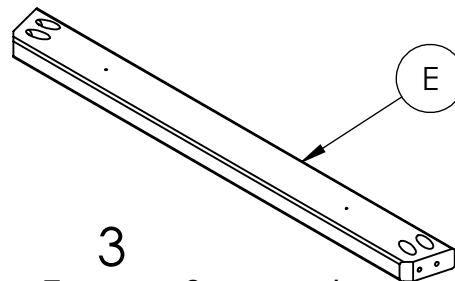
1
Roof
AMC-A0035



2
Mounting Bases
AMC-9185



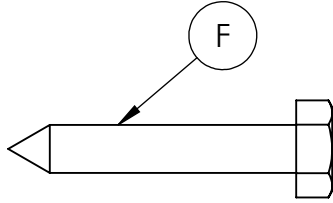
3
Top Frame Support
AMC-A0033



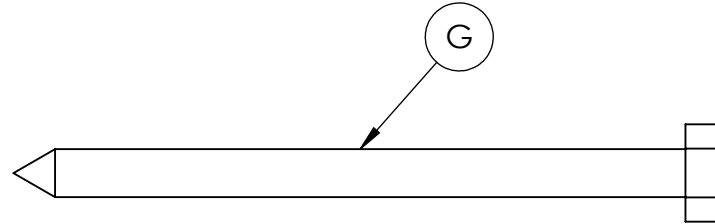
3
Bottom Frame Support
AMC-P0096

**COMPONENTS &
TOOLS REQUIRED
FOR ASSEMBLY**

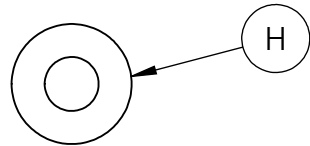
3 SIDED KIOSK INSTRUCTIONS



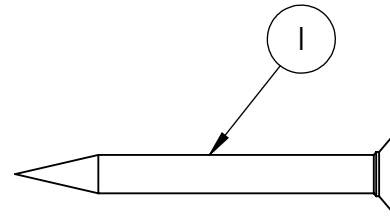
18
.25" x 1.5" Lag Screws



24
.25" x 3.5" Lag Screws



42
.25" Flat Washers



9
#12 x 2.5" Flat Head Screws

REQUIRED TOOLS (NOT INCLUDED)

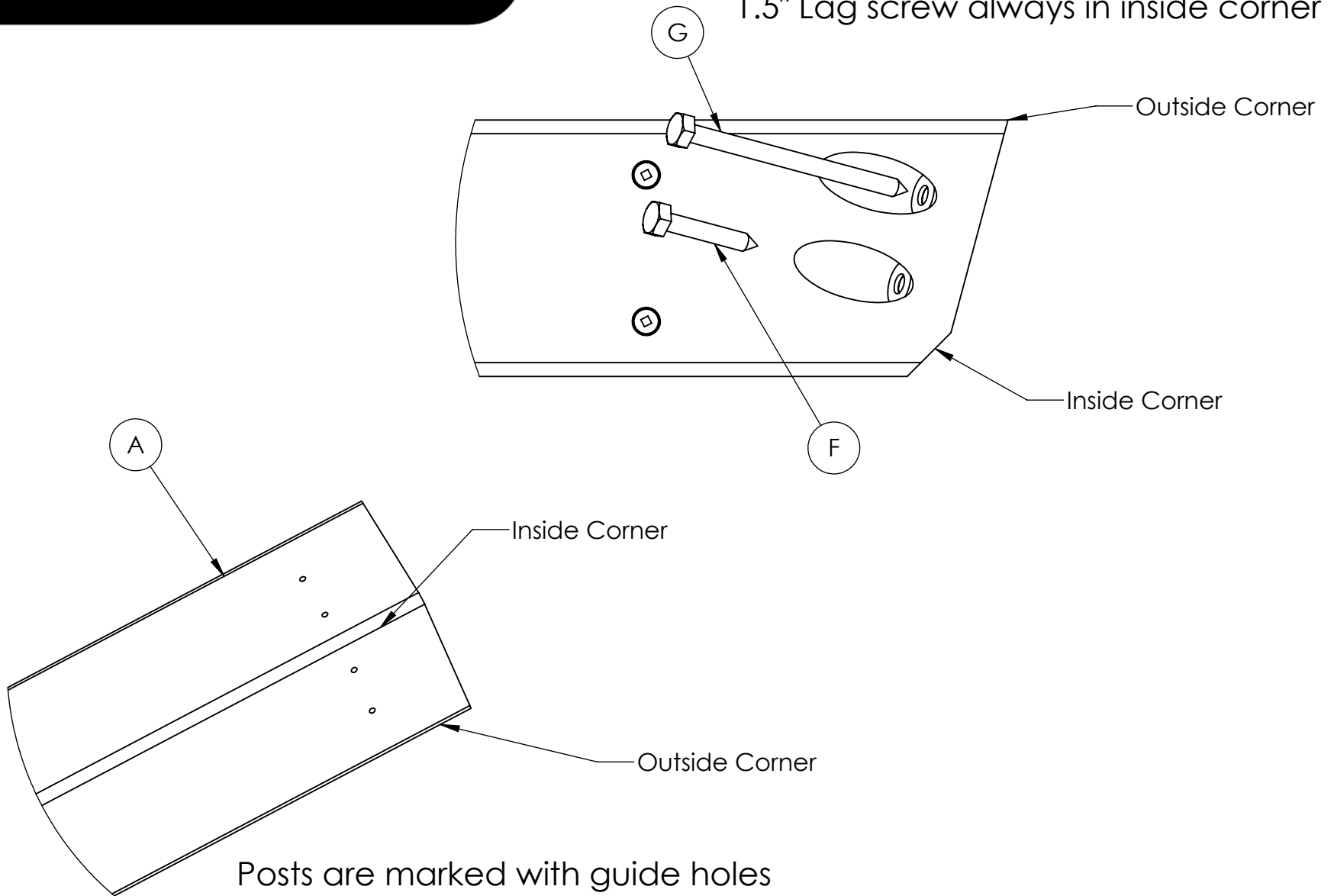
- 1 - 7/16" SOCKET
- 1 - SCREW GUN
- 1 - LEVEL
- 1 - #3 PHILLIPS HEAD

COMPONENTS &
TOOLS REQUIRED
FOR ASSEMBLY

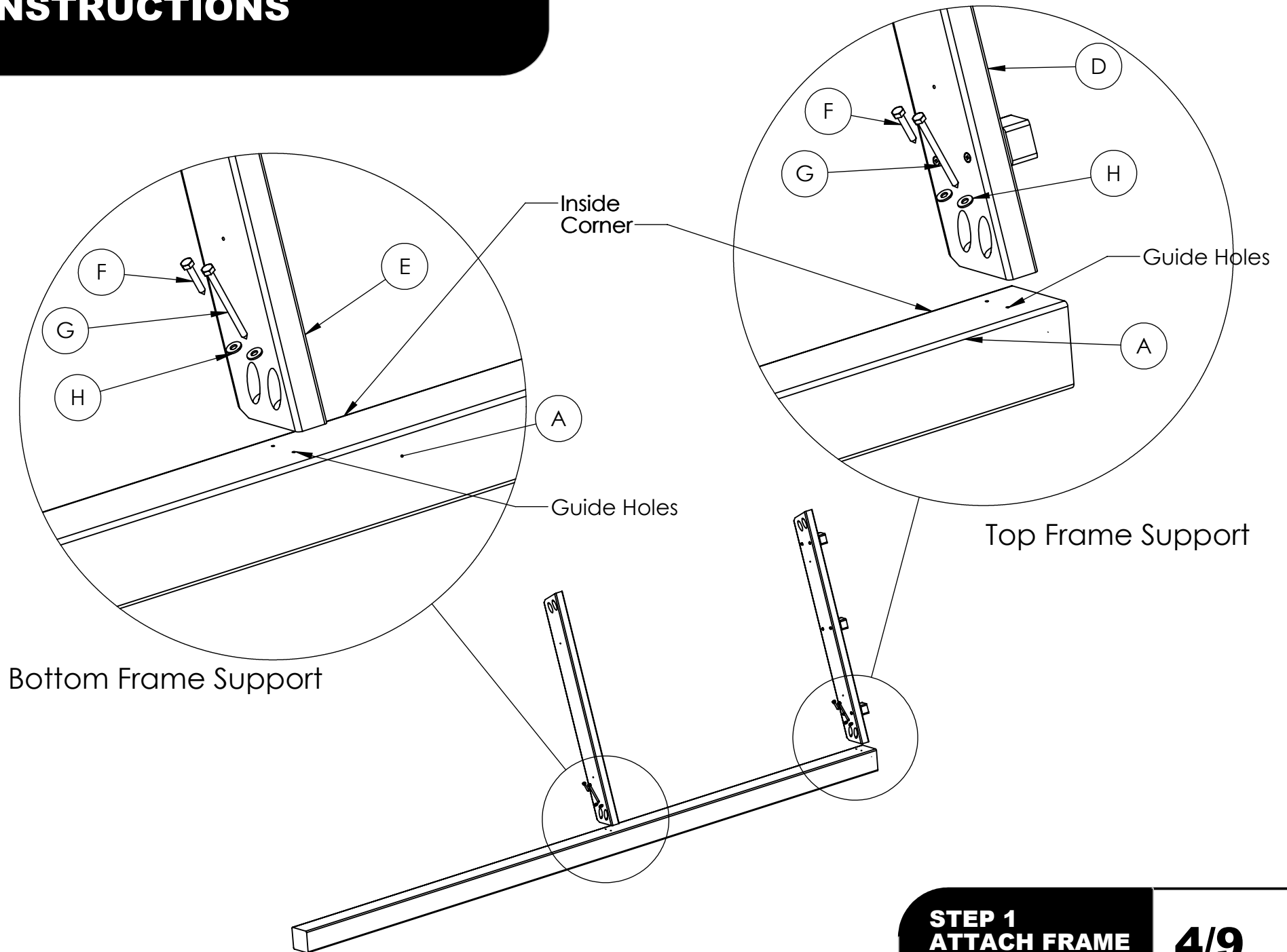
2/9

3 SIDED KIOSK INSTRUCTIONS

Pockets always face down
1.5" Lag screw always in inside corner

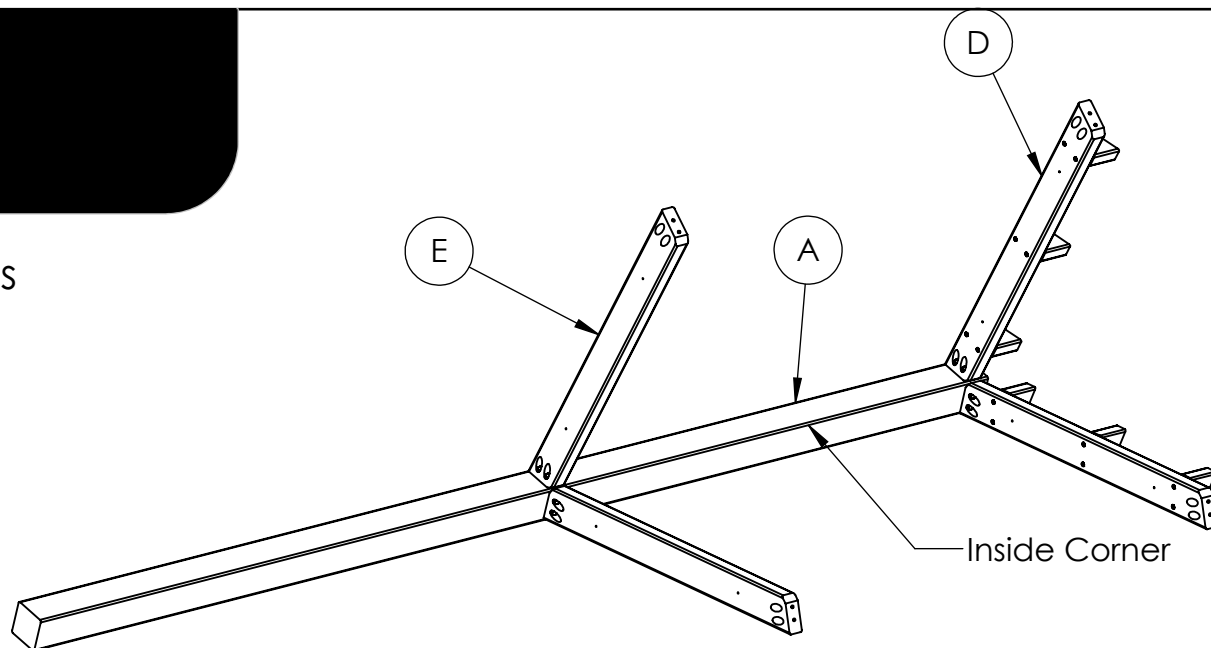


3 SIDED KIOSK INSTRUCTIONS

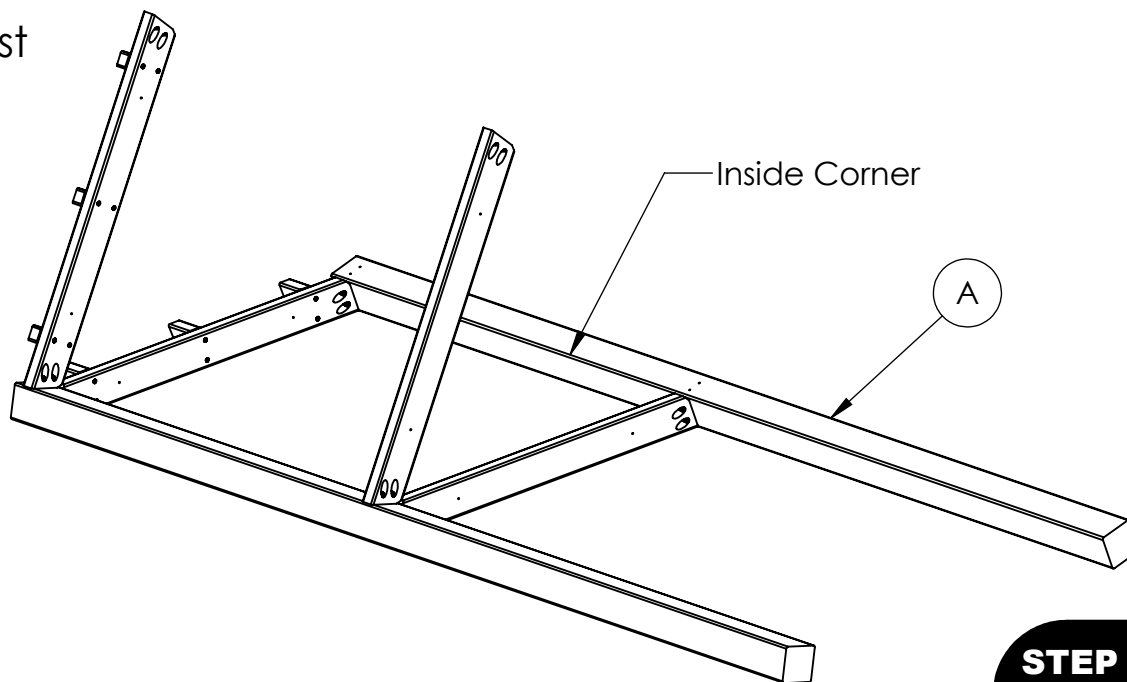


3 SIDED KIOSK INSTRUCTIONS

Attach second frame supports



Attach second post

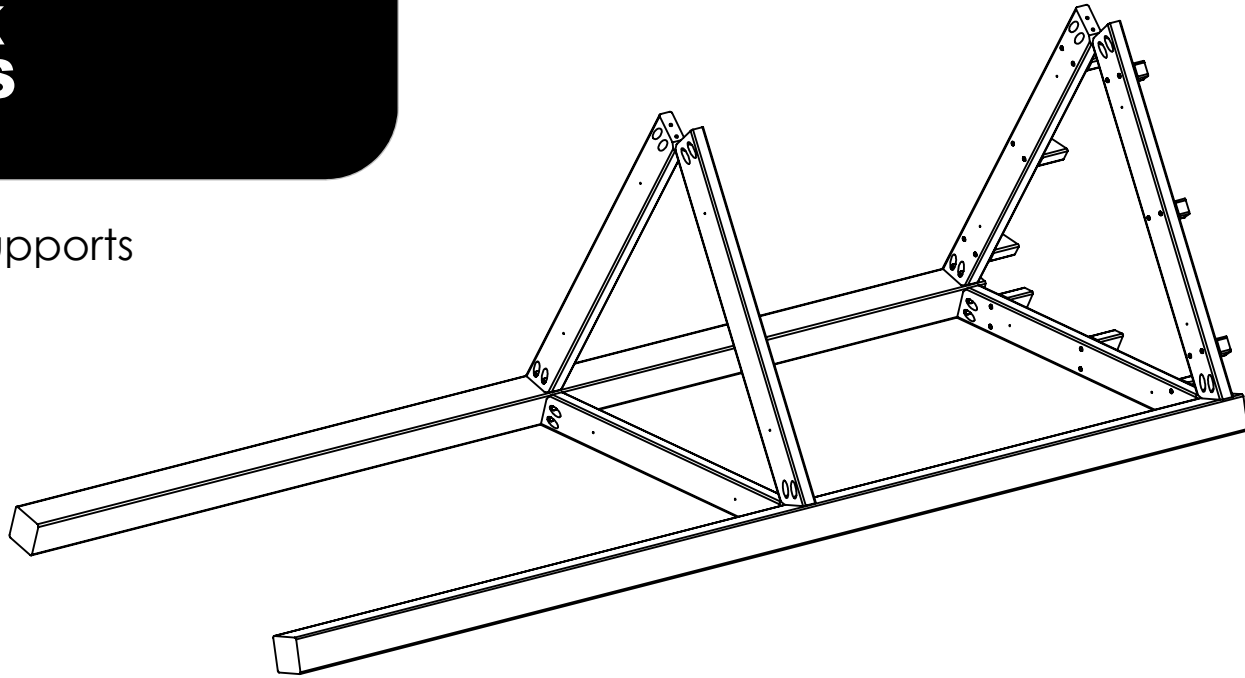


STEP 2
ATTACH SECOND
FRAME SUPPORTS

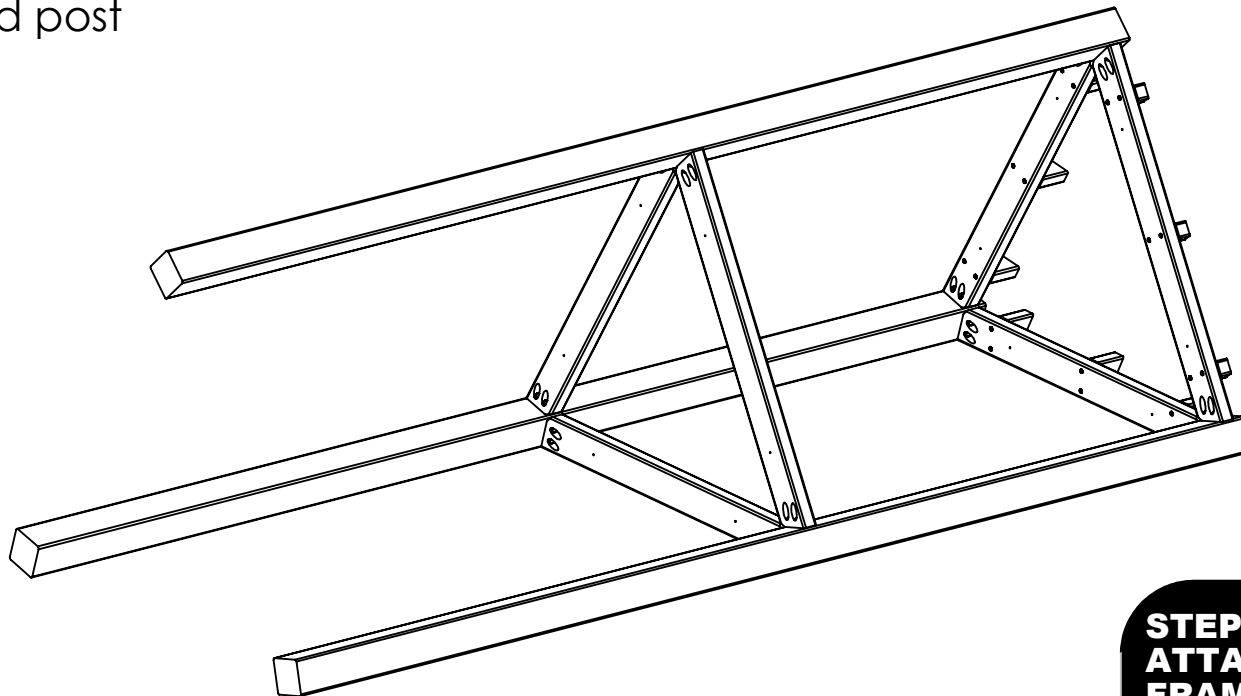
5/9

3 SIDED KIOSK INSTRUCTIONS

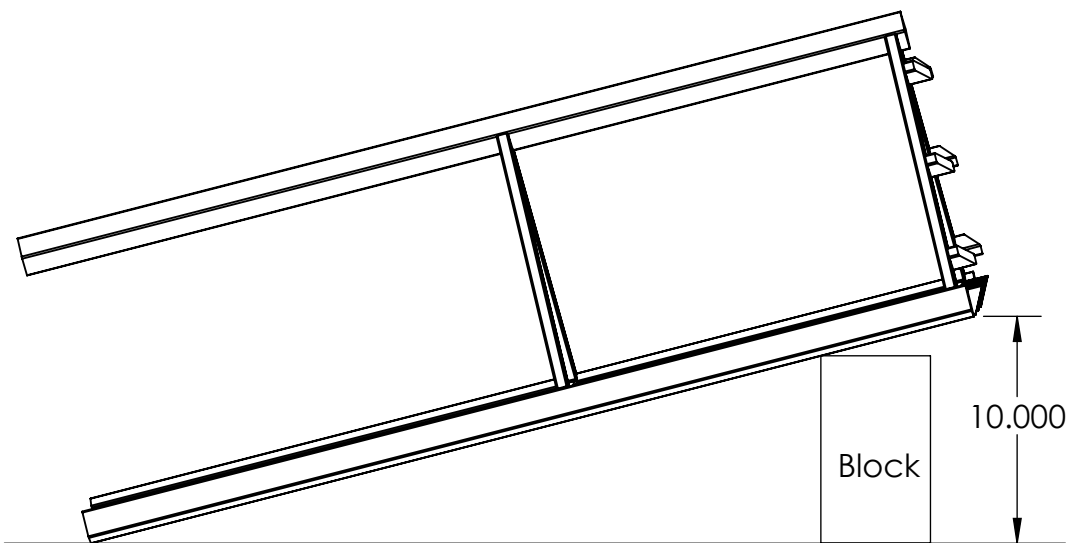
Attach third frame supports



Attach third post

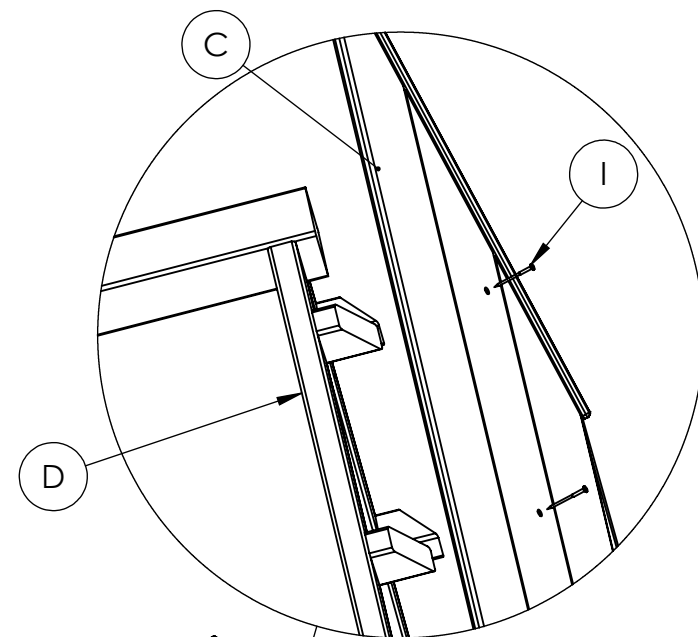
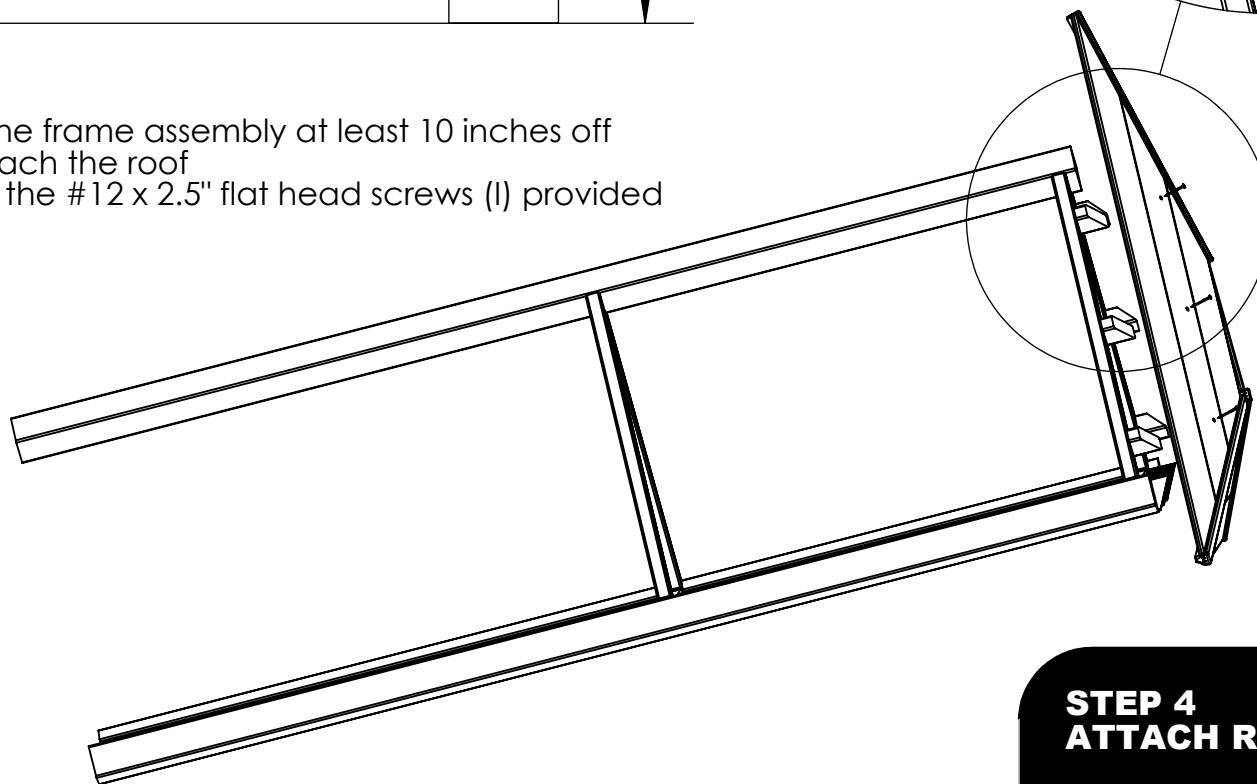


3 SIDED KIOSK INSTRUCTIONS



Attach Roof

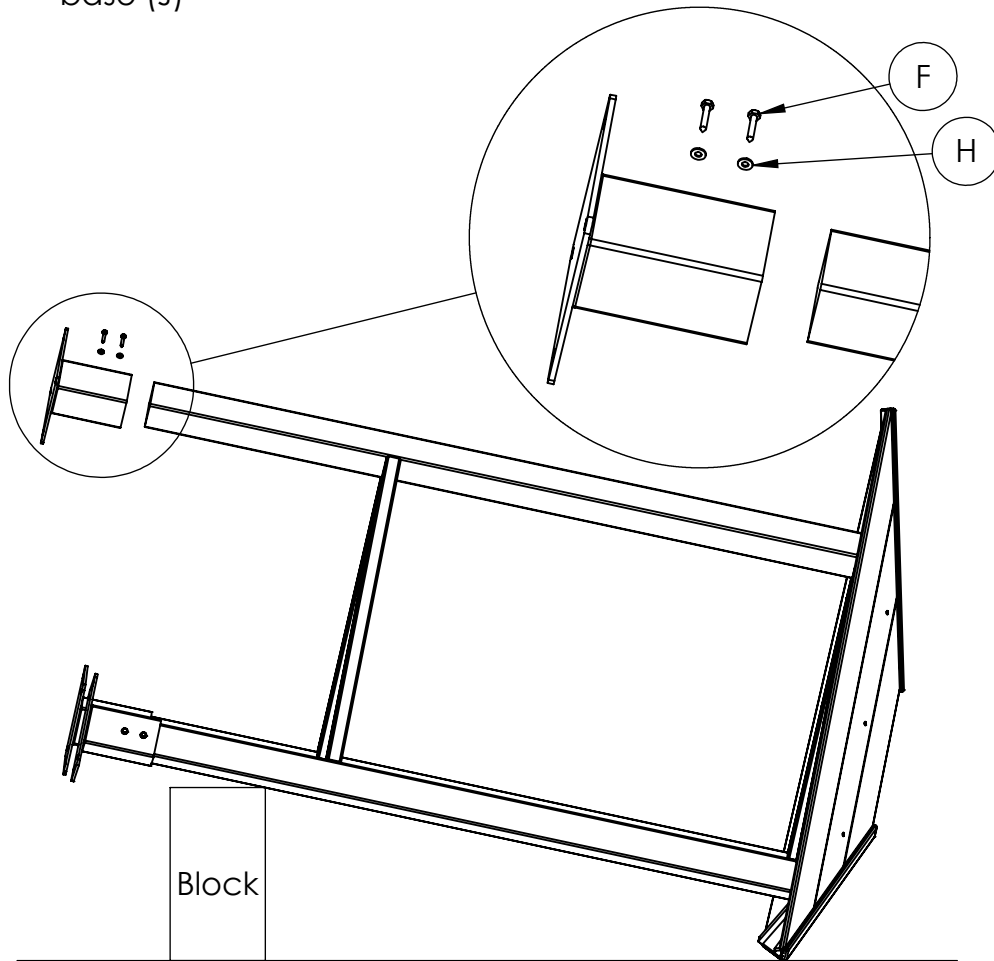
- Raise the top of the frame assembly at least 10 inches off the ground to attach the roof
- Secure roof using the #12 x 2.5" flat head screws (I) provided



3 SIDED KIOSK INSTRUCTIONS

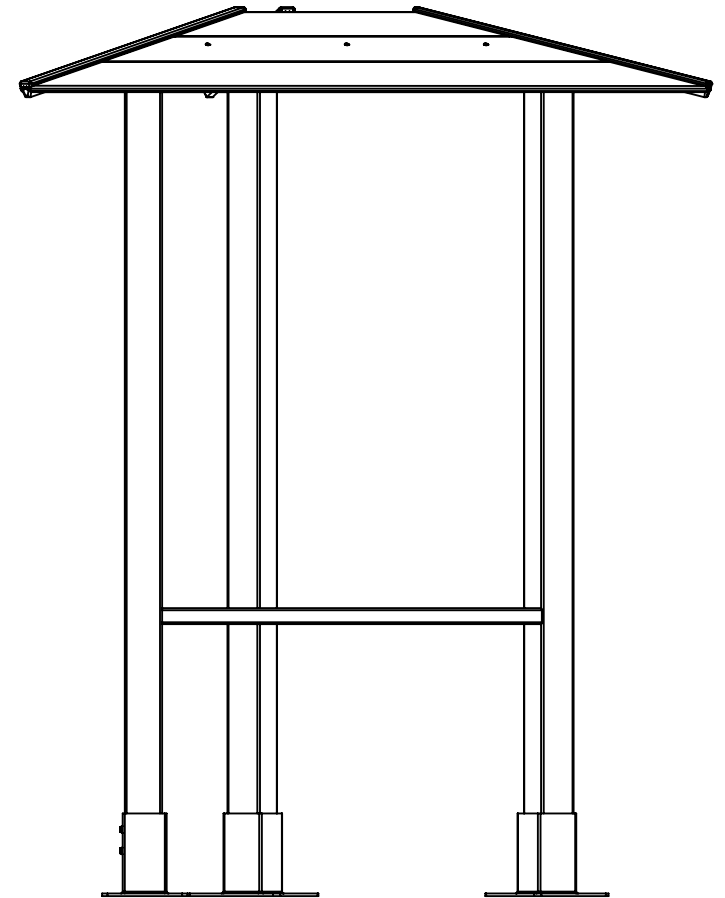
Surface Mount

- Place a piece of cardboard underneath the edge of the roof (C)
- Move the blocks to the base of the frame assembly
- Attach the mounting bases (J) using two .25" x 1.5" lag screws (F) and two .25" flat washers (H) per mounting base (J)



Surface Mount

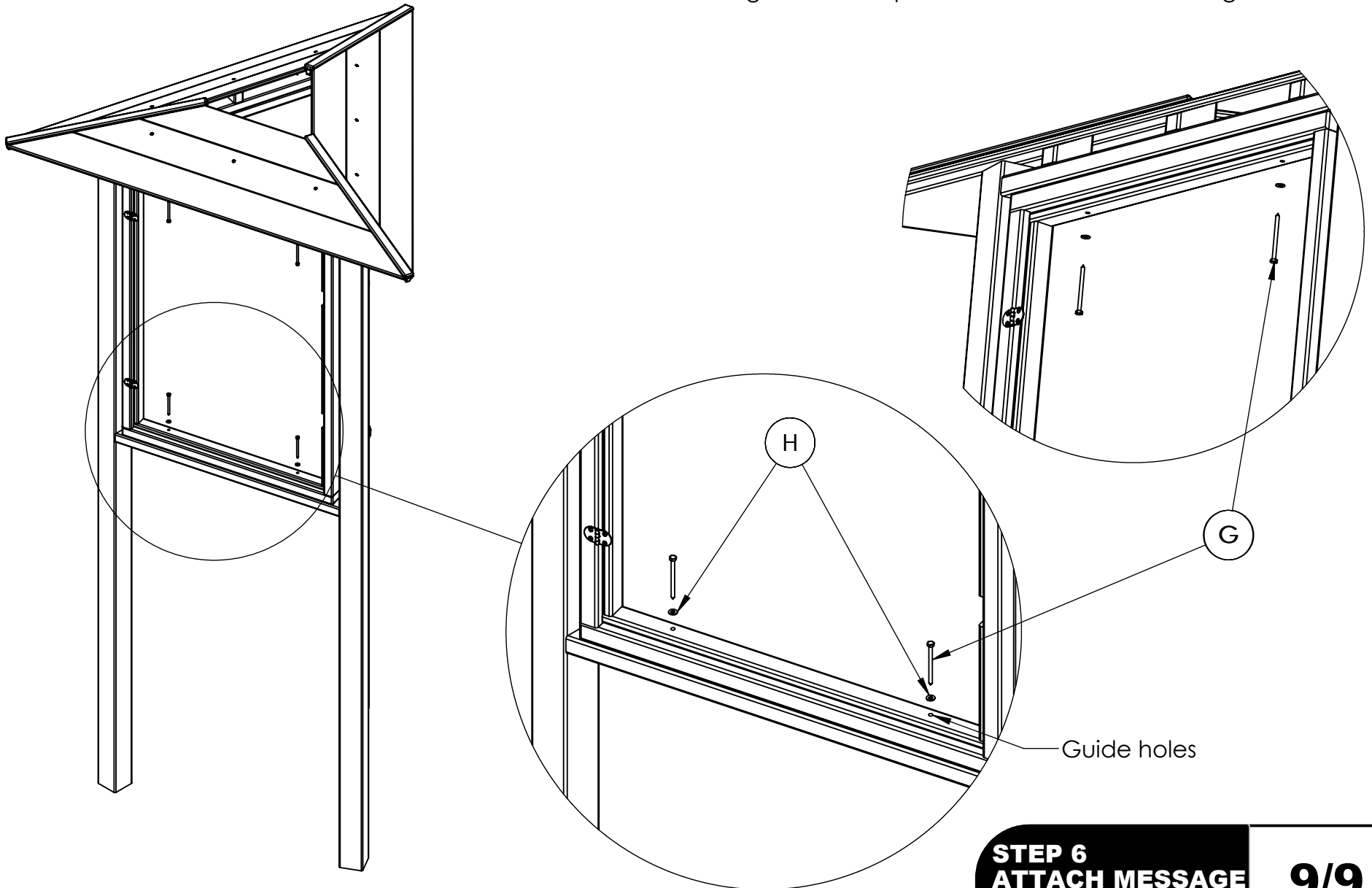
- Stand the assembly upright and place in desired location
- Mark the hole locations on the ground
- Use the appropriate mounting hardware for your location and secure the frame assembly to the ground



3 SIDED KIOSK INSTRUCTIONS

Attach Message Centers

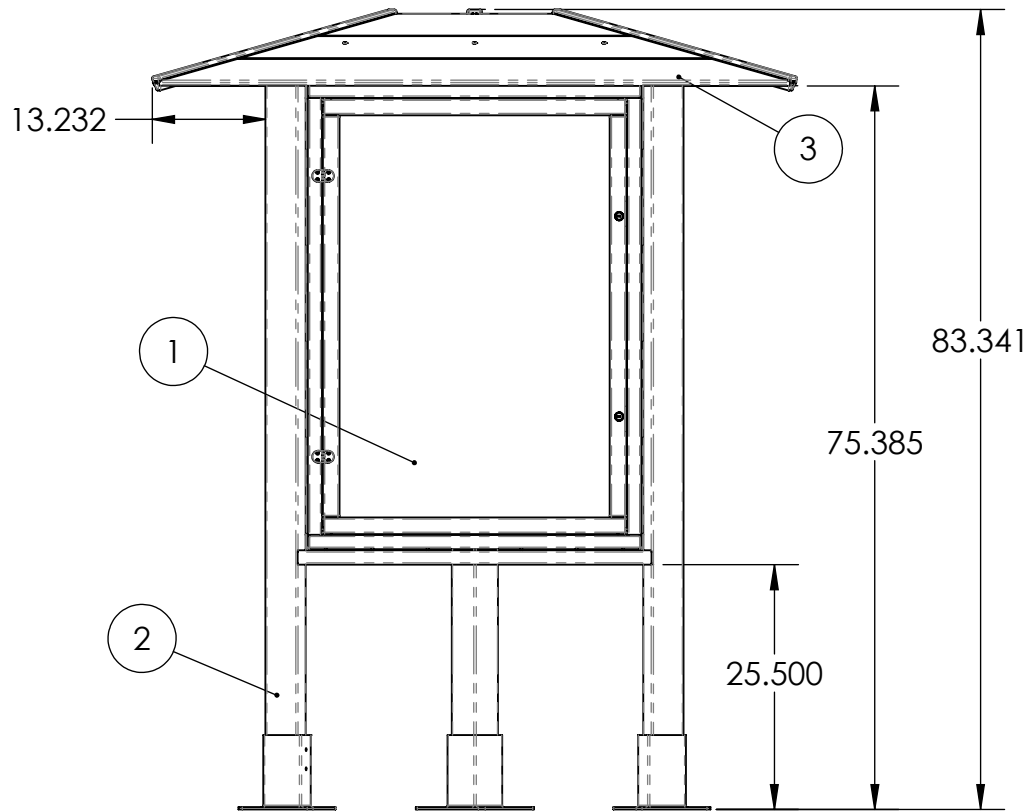
- Set a message center (B) into the frame assembly
- Insert four .25" x 3.5" lag screws (G) and .25" flat washer (H)
- through the guide holes in the top and bottom of the message center (B)
- Tighten and repeat for the other two message centers



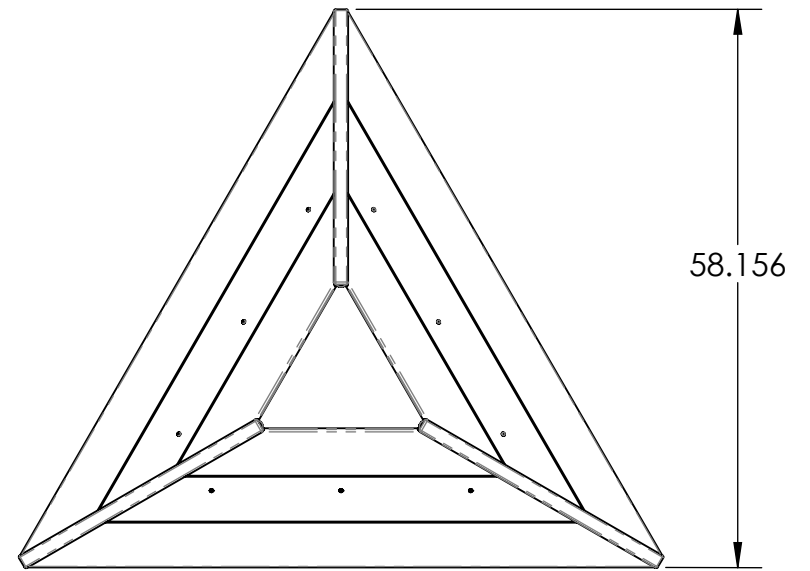
STEP 6
ATTACH MESSAGE
CENTERS

9/9

THREE-SIDED KIOSK SURFACE MOUNT

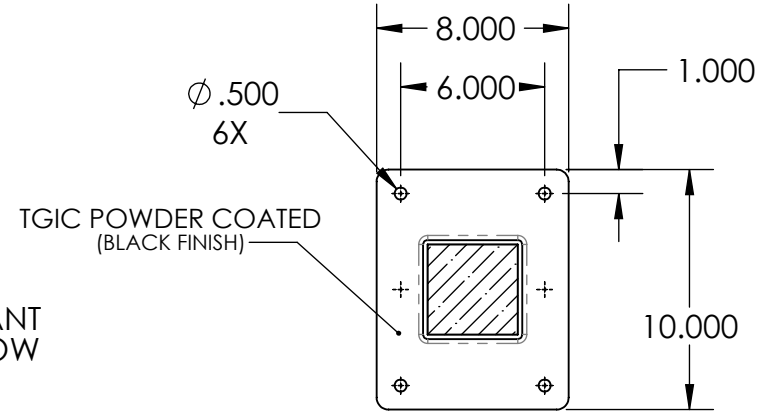
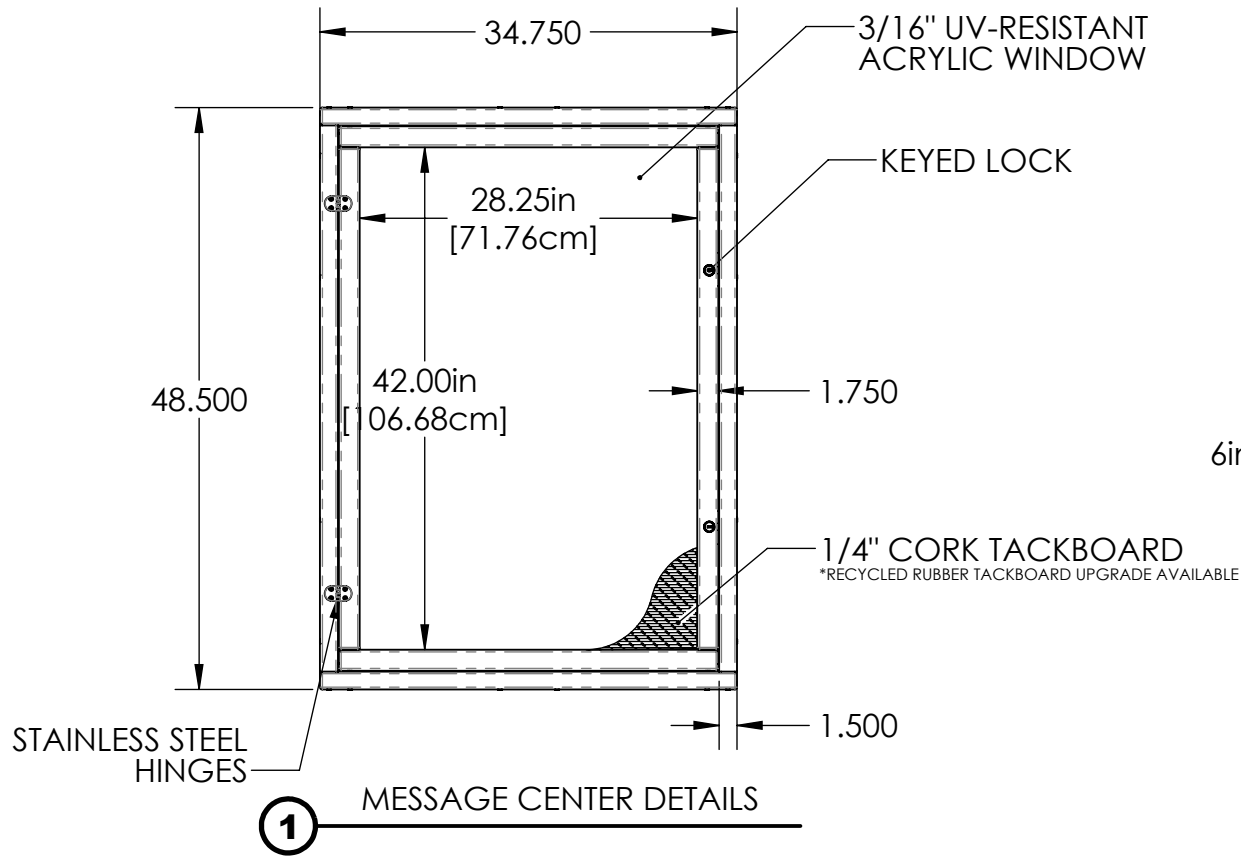


FRONT

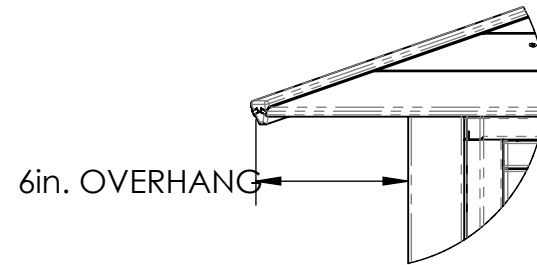


TOP

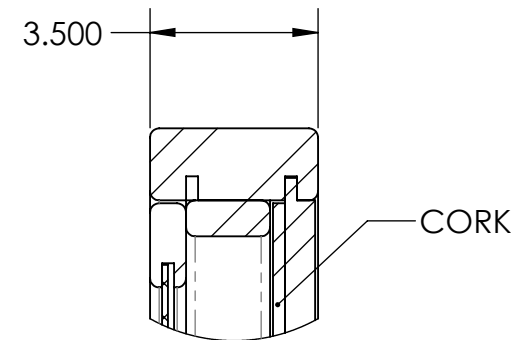
THREE-SIDED KIOSK SURFACE MOUNT



2 MOUNTING DETAILS



3 OVERHANG DETAILS



4 MESSAGE CENTER DEPTH DETAILS

HARDWARE: STAINLESS STEEL
MATERIAL: RECYCLED PLASTIC, ACRYLIC, 1/4" CORK