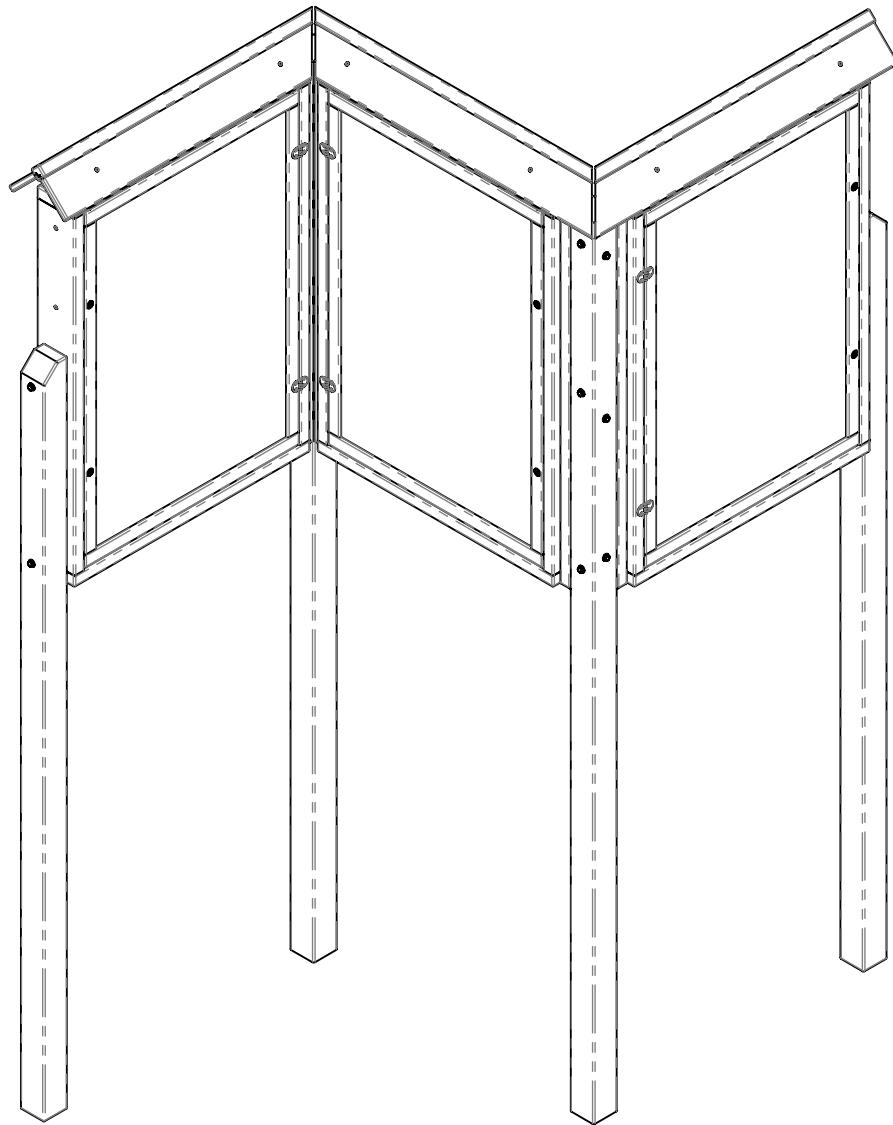
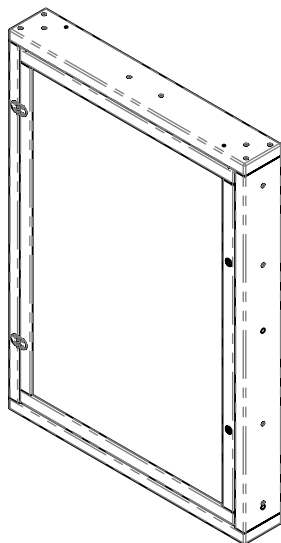


Zig-Zag Message Center Assembly Instructions

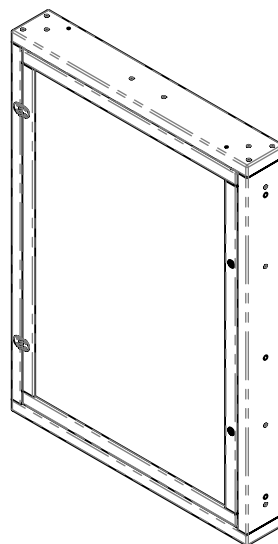
Model# KMC3500



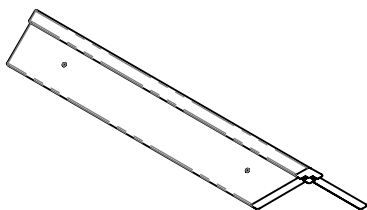
Before assembly, please make sure all components are included.



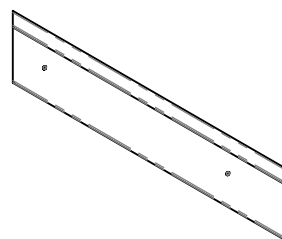
**(2) Large Vertical
Double Message
Center**
AMC-A0004



**(1) Middle Large Vertical
Double Message Center**
AMC-A0008



**(2) Large Vertical
Roof**
AMC-A0009



**(1) Middle Large Vertical
Roof**
AMC-A0010

**(2) Inground Post
Assembly**
AMC-A0006



**(2) Inground Outer
Post**
AMC-P0016



Before assembly, please make sure all hardware is included.

- (6) - 1/4" Flat Washer**
- (6) - 1/4"-20 x 3.50" Lag Screw**
- (16) - 3/8" Flat Washer**
- (4) - 3/8" x 5.00" Hex Head Bolt**
- (12) - 3/8" x 6.50" Hex Head Bolt**

Required Tools

- Power drill/Screw gun**
- 7/16" Socket**
- 9/16" Socket**
- Level**
- Guide wires**
- Wood for bracing**
- Post hole filler.**

Before Step 1 can be completed, two holes must be dug 41" apart on center at a depth of 30" - 36". Make each hole approximately 10" wide in diameter. These holes will be used to construct middle section of the Zig Zag Message Center. Refer to post hole layout at end of instructions for more detail.

Components required for Step 1:

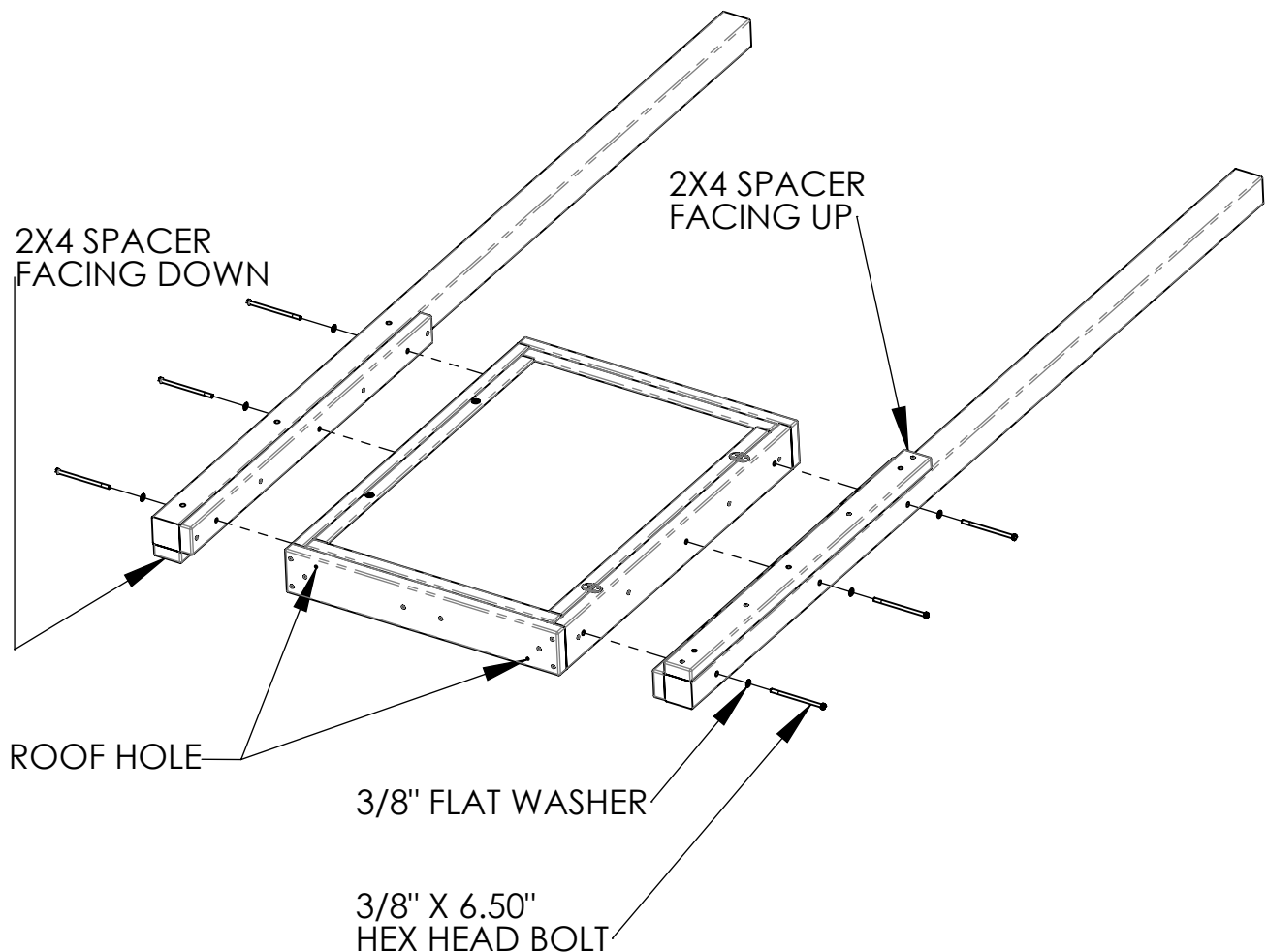
- (1) Middle Large Vertical Double Message Center
- (2) Inground Post Assembly

Hardware required for Step 1:

- (6) 3/8" x 6.50" Hex Head Bolt
- (6) 3/8" Flat Washer

Step 1:

Lay out the required components as shown in the illustration. Attach the Inground Post Assemblies to the Middle Large Vertical Double Message Center as shown. Be sure to properly orientate posts as indicated. Place posts into post holes, leveling where necessary. Fill post holes with filler.



Components required for Step 2:

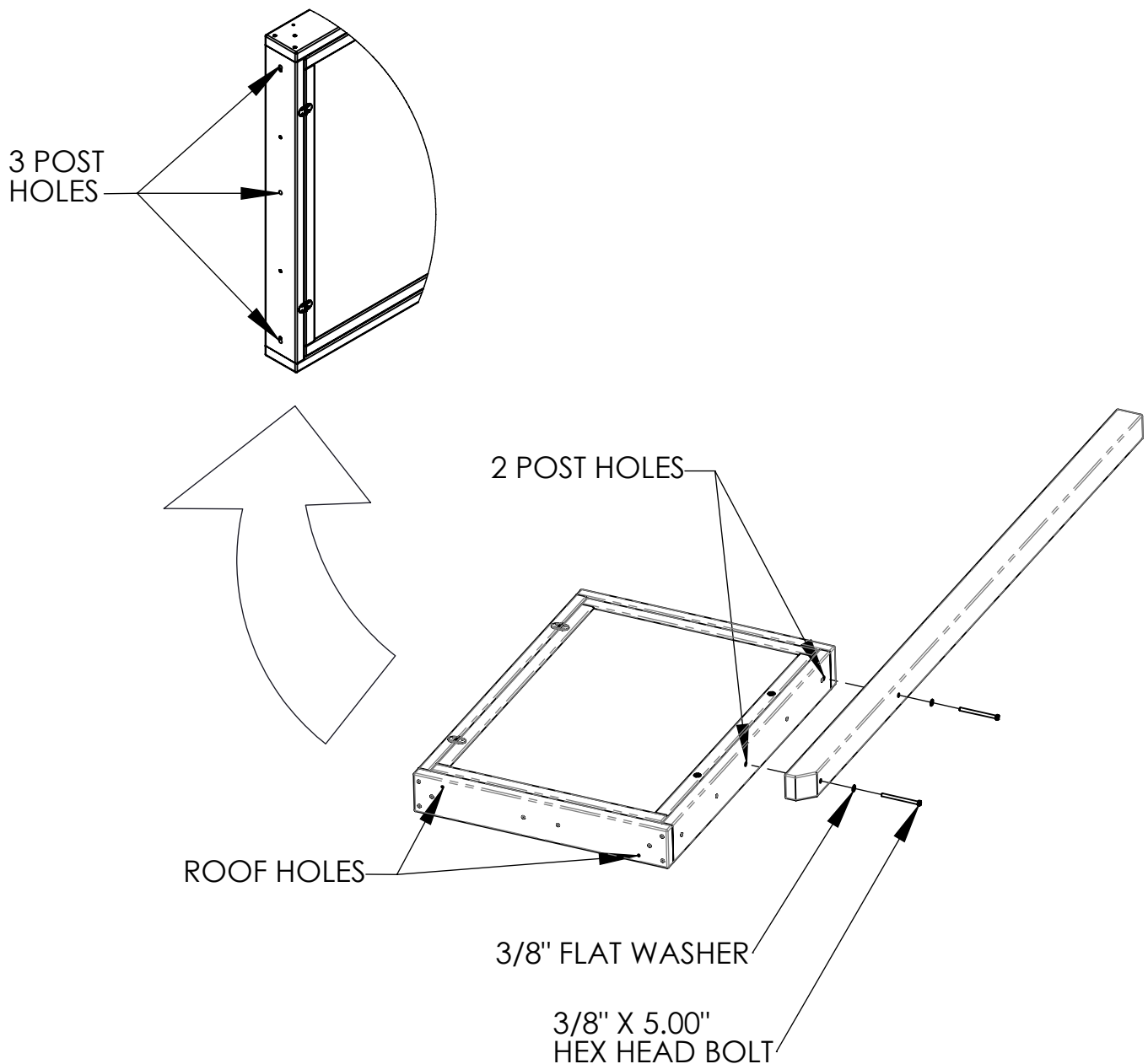
- (1) Inground Outer Post
- (1) Large Vertical Double Message Center

Hardware required for Step 2:

- (2) 3/8" x 5.00" Hex Head Bolt
- (2) 3/8" Flat Washer

Step 2:

Lay out the required components as shown in the illustration. Attach the Inground Outer Post to the Large Vertical Double Message Center as shown using the indicated hardware. Repeat step for second Large Vertical Double Message Center.



Before Step 3 can be completed, two hole must be dug 40" apart on center from previously dug holes at a depth of 30" - 36". Make each hole approximately 10" wide in diameter. These holes will be used to construct end section of the Zig Zag Message Center. Refer to hole layout at end of instructions for more detail.

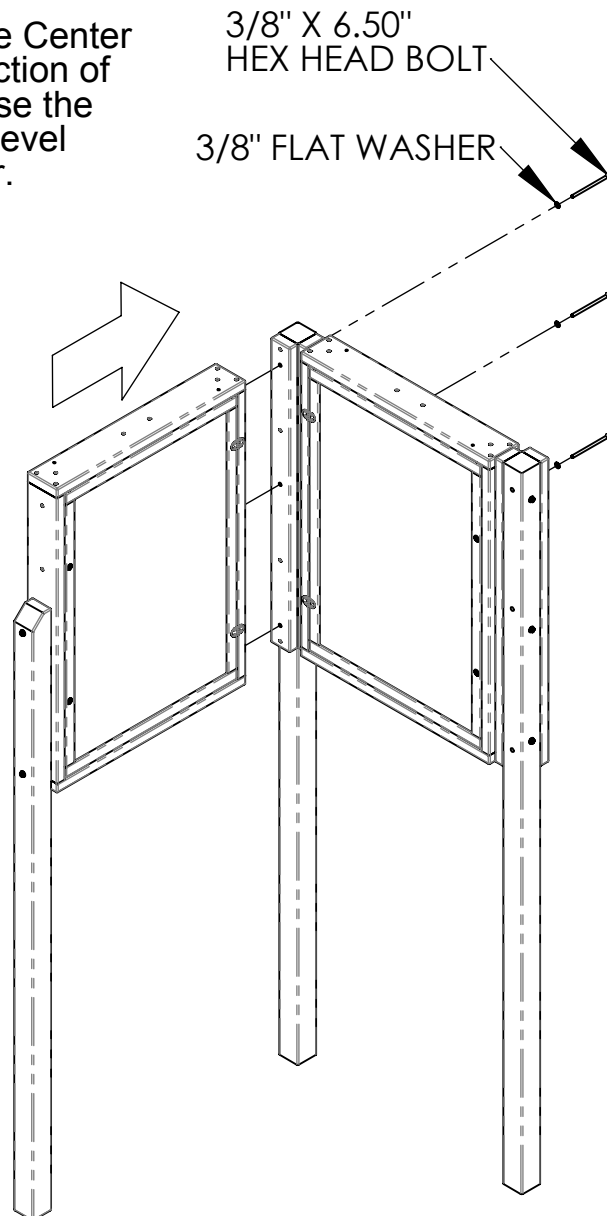
Components required for Step 3:

Hardware required for Step 3:

- (3) 3/8" x 6.50" Hex Head Bolt
- (3) 3/8" Flat Washer

Step 3:

Place End Section of Zig Zag Message Center into post hole and attach to Middle Section of Zig Zag Message Center as shown. Use the supplied 3/8" x 6.50" Hex Head Bolt. Level where necessary and fill hole with filler. Repeat step for second end section.



Components required for Step 4:

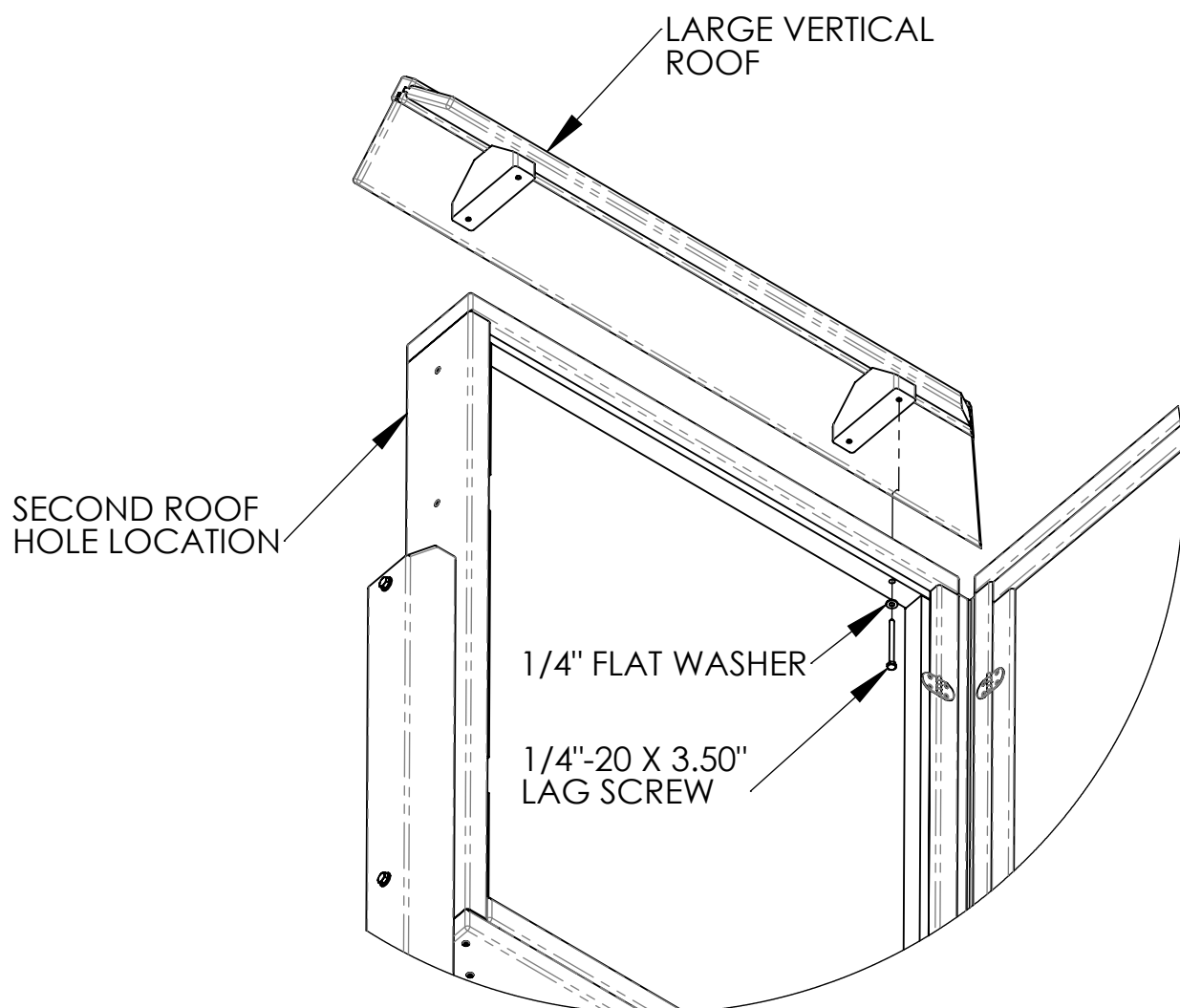
- (2) Large Vertical Roof
- (1) Middle Large Vertical Roof

Hardware required for Step 4:

- (6) 1/4"-20 x 3.50" Lag Screw
- (6) 1/4" Flat Washer

Step 4:

Attach Large Vertical Roof to Large Vertical Double Message Center as shown. Secure Roof using the supplied 1/4"-20 x 3.50" Lag Screw. Note that the other Roof hole is located on opposite side of message center. Repeat step for each section of the Zig Zag Message Center.



Post Hole Layout

DIG HOLES 10" WIDE
AT A DEPTH OF 30" - 36.00"

STEP 2

40.000

STEP 1

41.000

STEP 2

40.000

57.280

REFERENCE
MEASUREMENT

