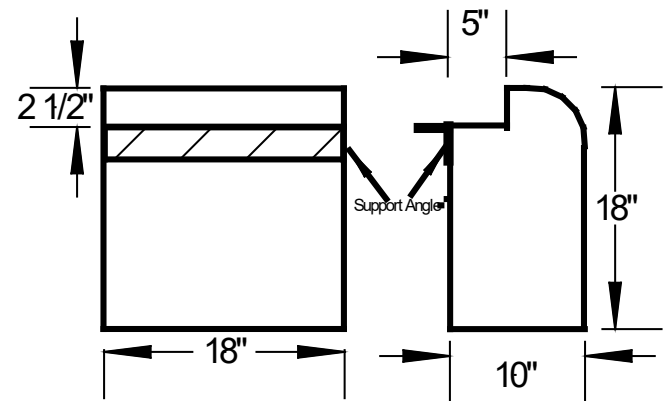


Seat Details

Wire Reinforcing



End Details

Wt. 840 Lbs.

Not to Scale

