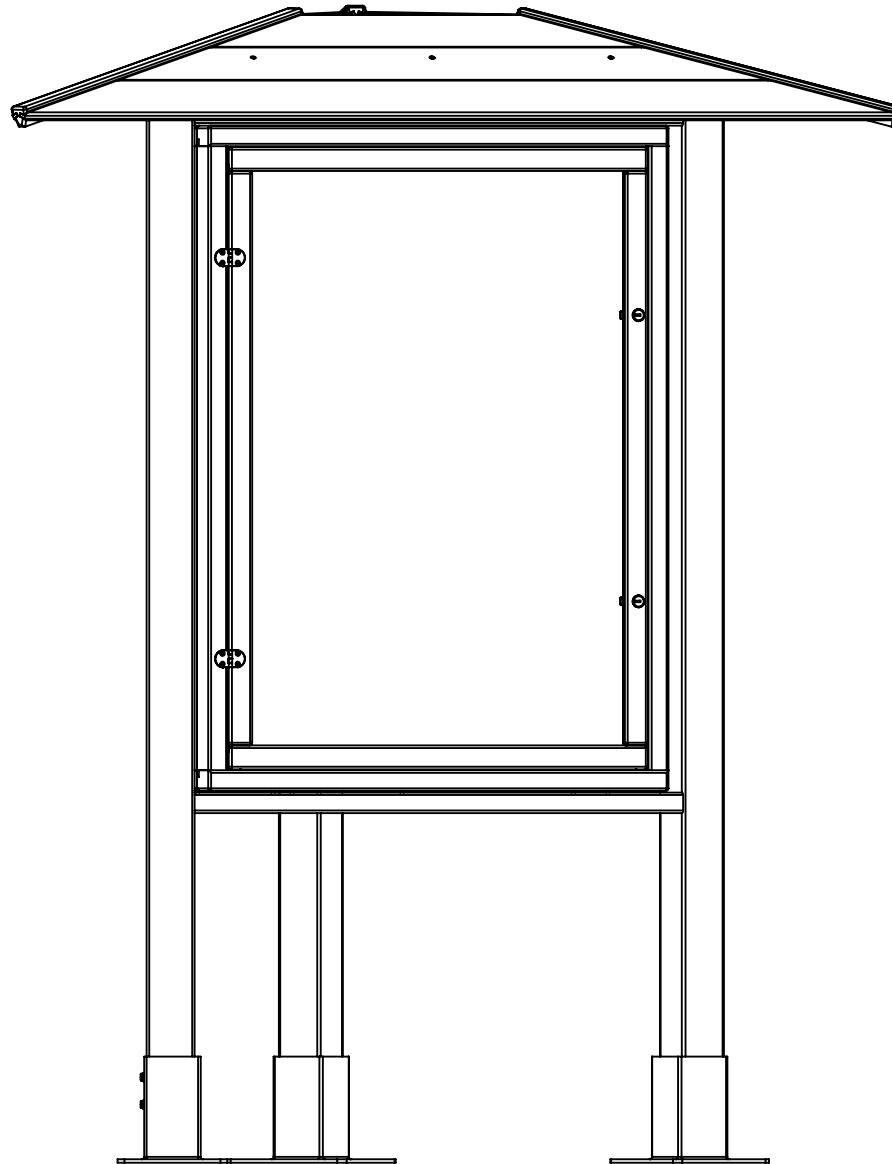
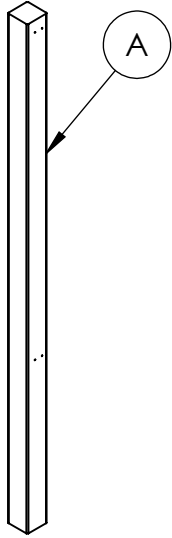


# 3 SIDED KIOSK INSTRUCTIONS

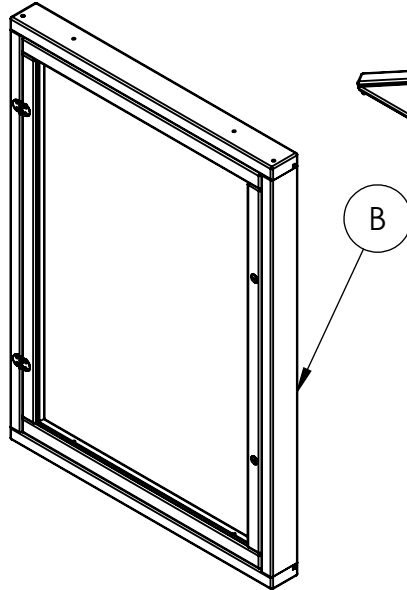
MC3225 REV #2  
2/26/2019



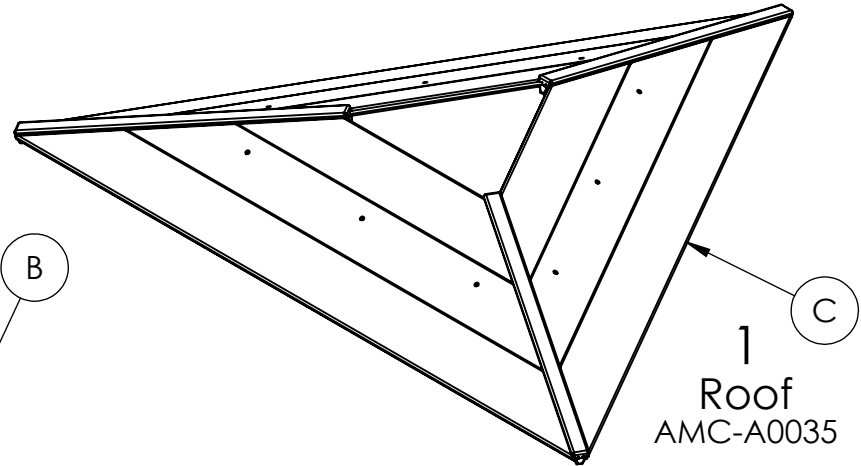
# 3 SIDED KIOSK INSTRUCTIONS



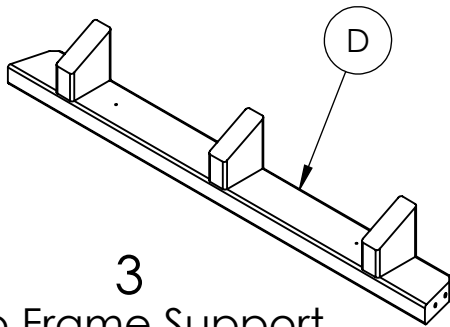
3  
4 x 4 Posts  
AMC-P0097



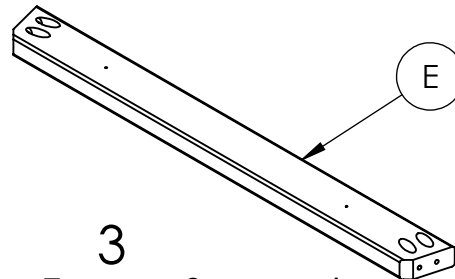
3  
Message Centers  
AMC-A0034



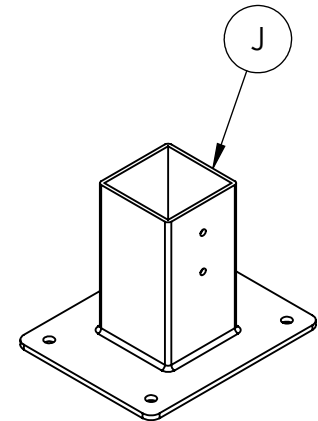
1  
Roof  
AMC-A0035



3  
Top Frame Support  
AMC-A0033



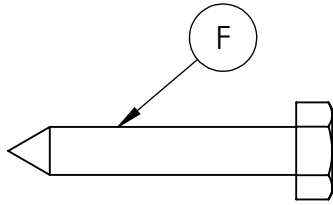
3  
Bottom Frame Support  
AMC-P0096



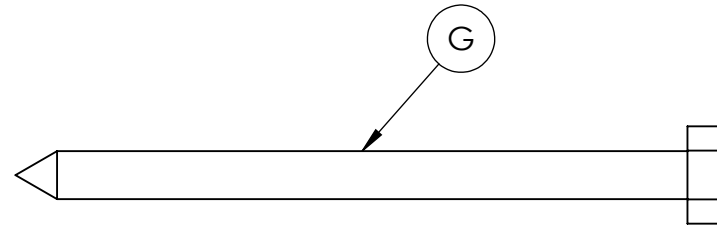
2  
Mounting Bases  
AMC-9185

**COMPONENTS &  
TOOLS REQUIRED  
FOR ASSEMBLY**

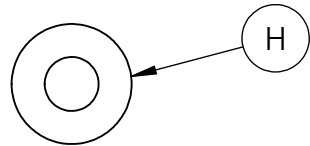
# 3 SIDED KIOSK INSTRUCTIONS



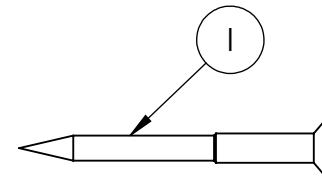
18  
1/4" x 1-1/2" Lag Screws  
HLAG025C150188



24  
1/4" x 3-1/2" Lag Screws  
HLAG025C350188



42  
1/4" Flat Washers  
WUSS025WAS188



9  
#8 x 1-5/8" Flat Head Screws  
DSSF010C400188

## REQUIRED TOOLS (NOT INCLUDED)

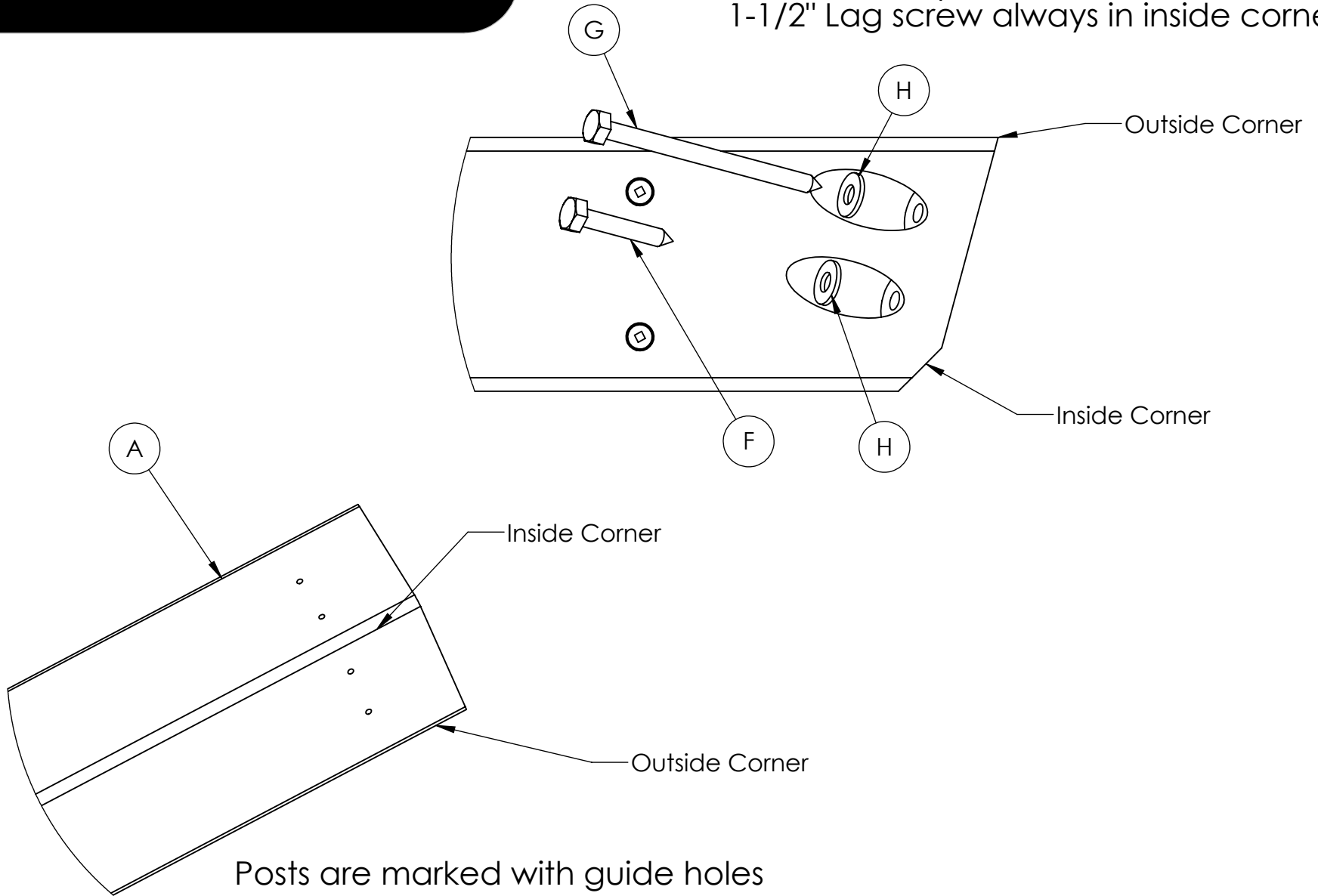
- 1 - 7/16" SOCKET
- 1 - SCREW GUN
- 1 - LEVEL
- 1 - #2 SQUARE DRIVE

COMPONENTS &  
TOOLS REQUIRED  
FOR ASSEMBLY

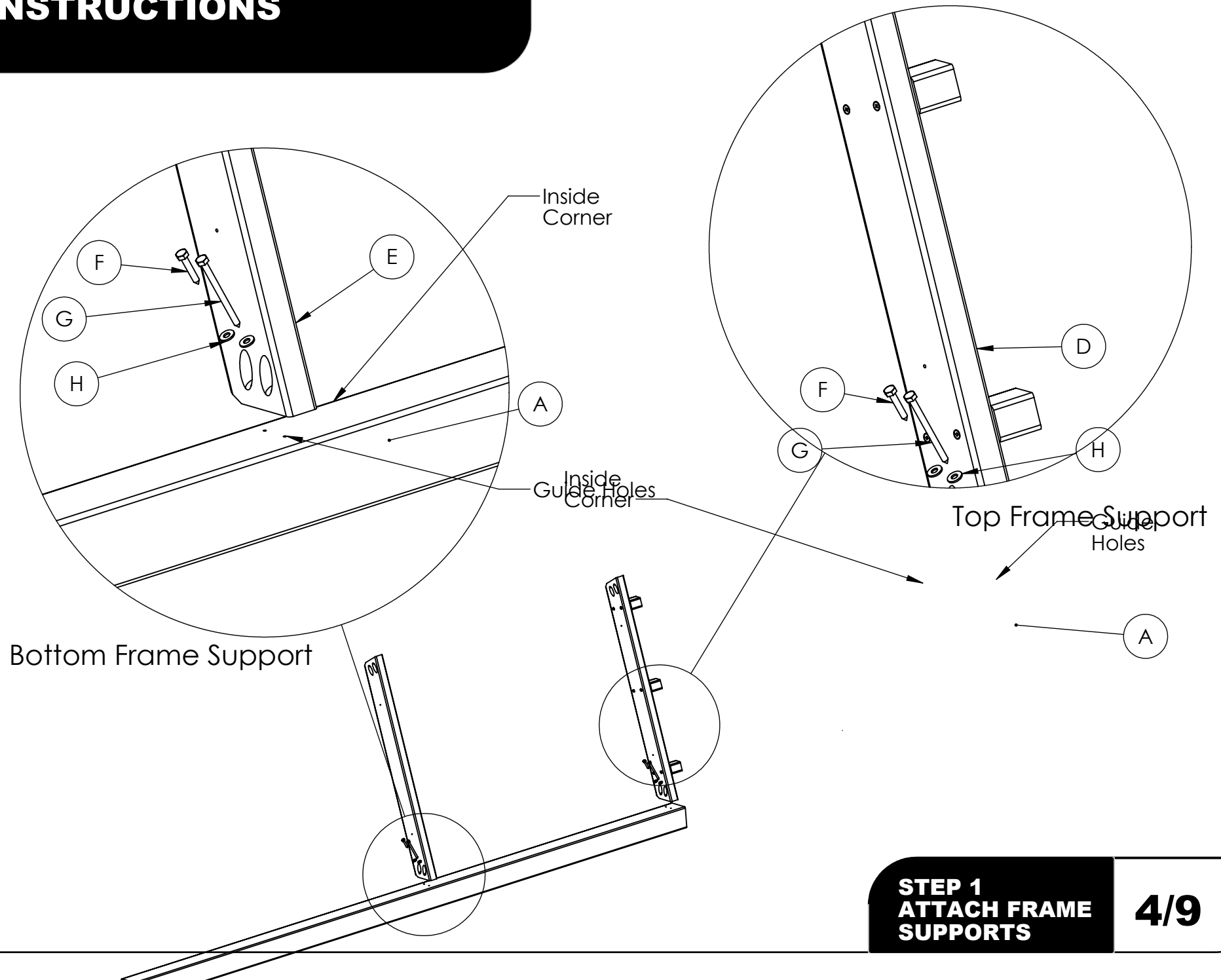
2/9

# 3 SIDED KIOSK INSTRUCTIONS

Pockets always face down  
1-1/2" Lag screw always in inside corner



# 3 SIDED KIOSK INSTRUCTIONS

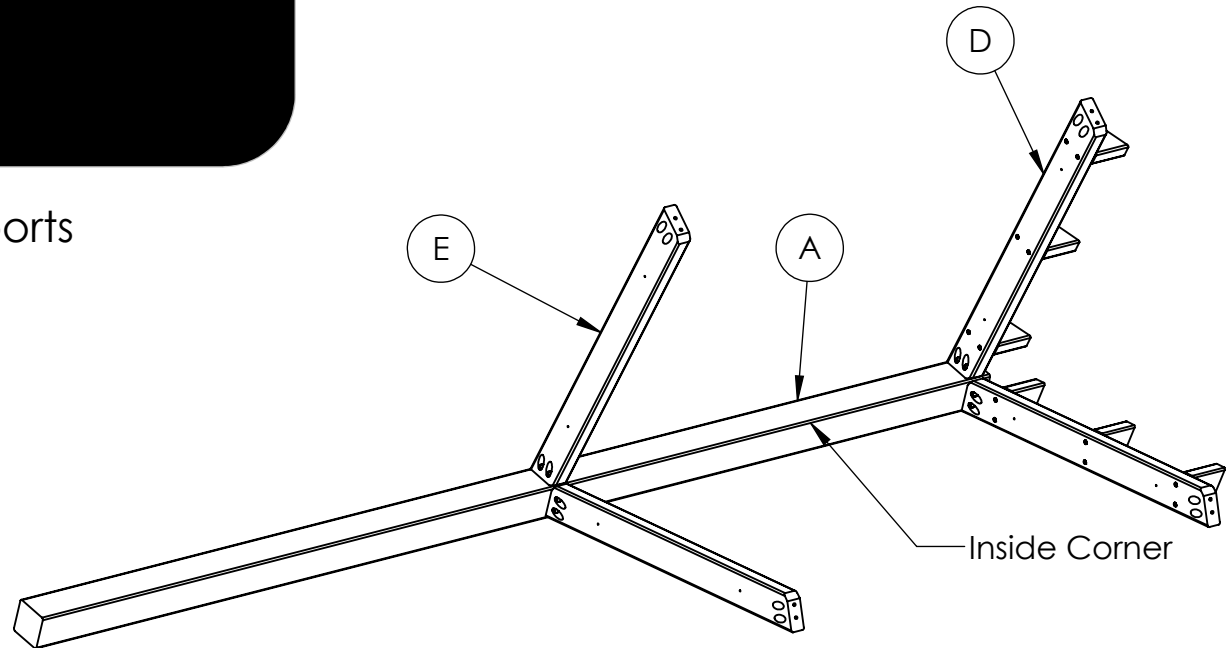


**STEP 1**  
**ATTACH FRAME**  
**SUPPORTS**

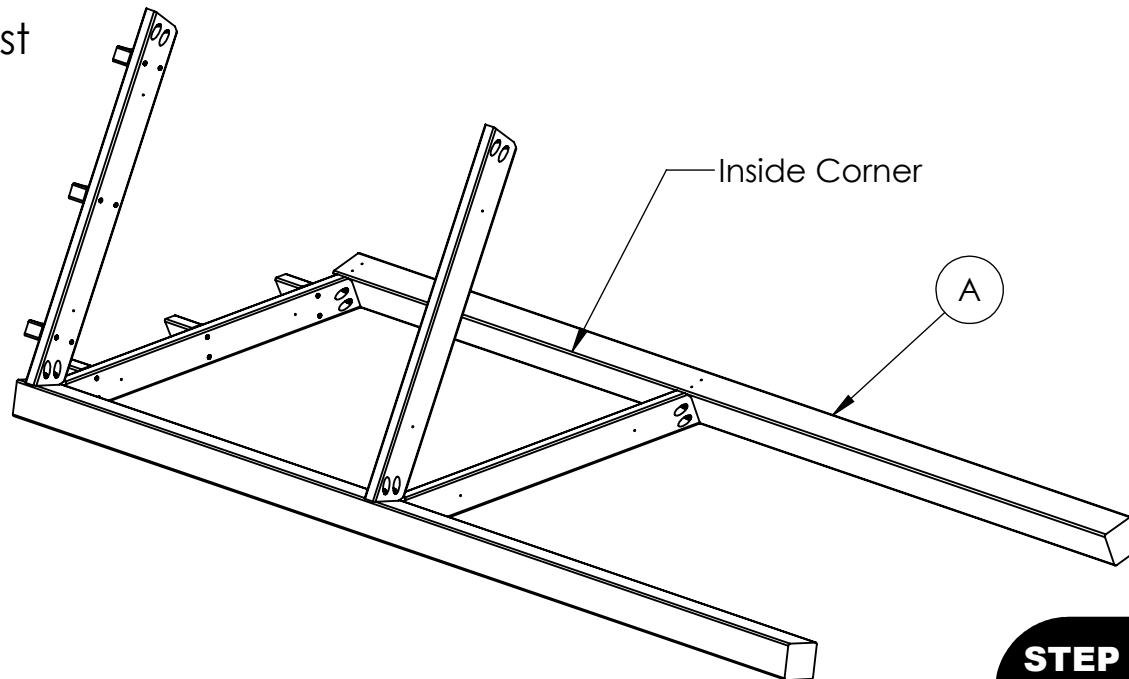
**4/9**

# 3 SIDED KIOSK INSTRUCTIONS

Attach second frame supports



Attach second post

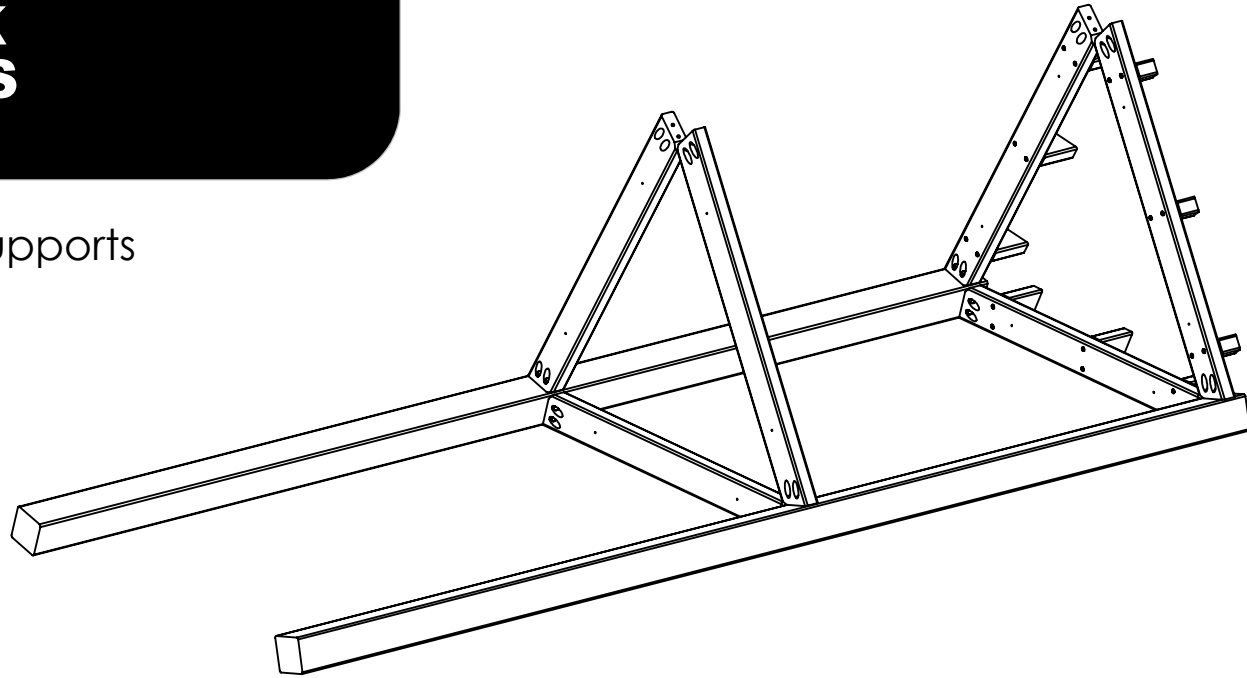


**STEP 2**  
**ATTACH SECOND**  
**FRAME SUPPORTS**

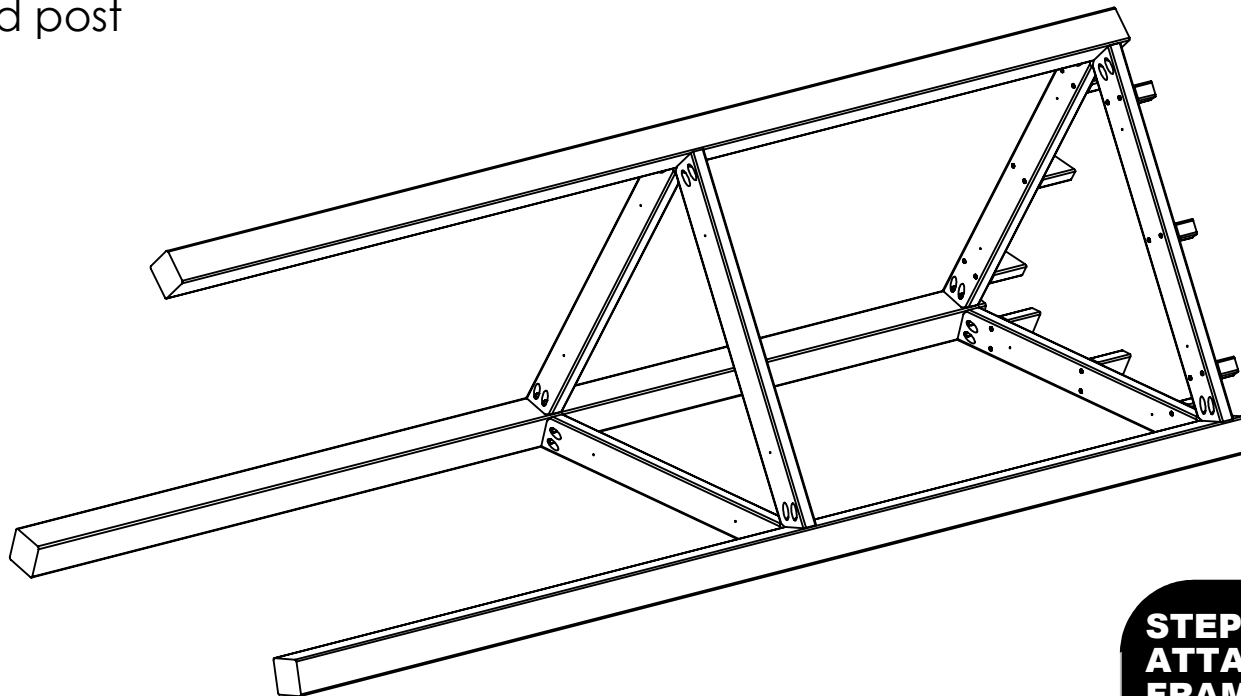
**5/9**

# 3 SIDED KIOSK INSTRUCTIONS

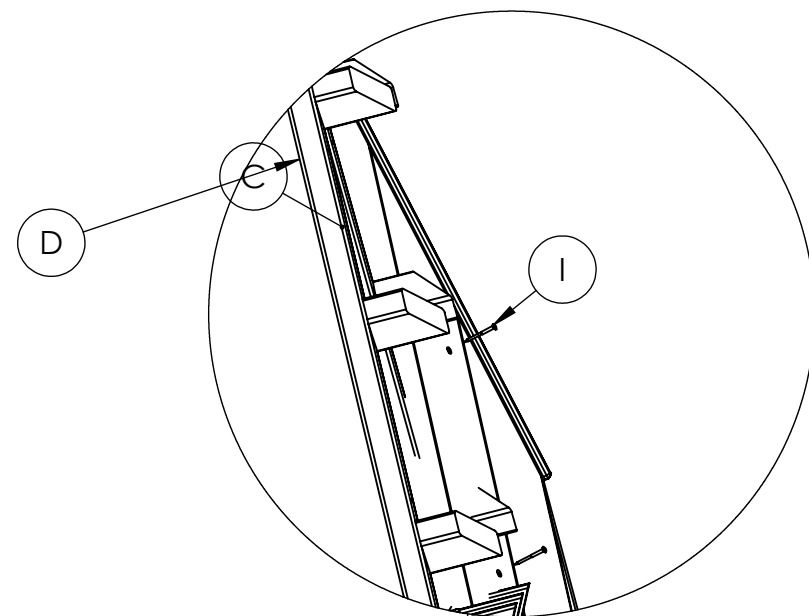
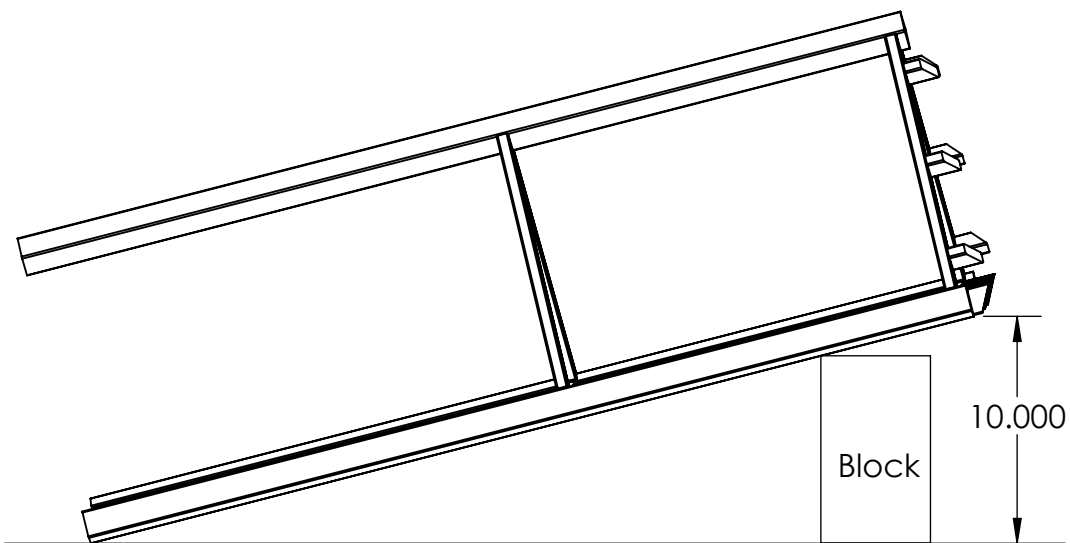
Attach third frame supports



Attach third post

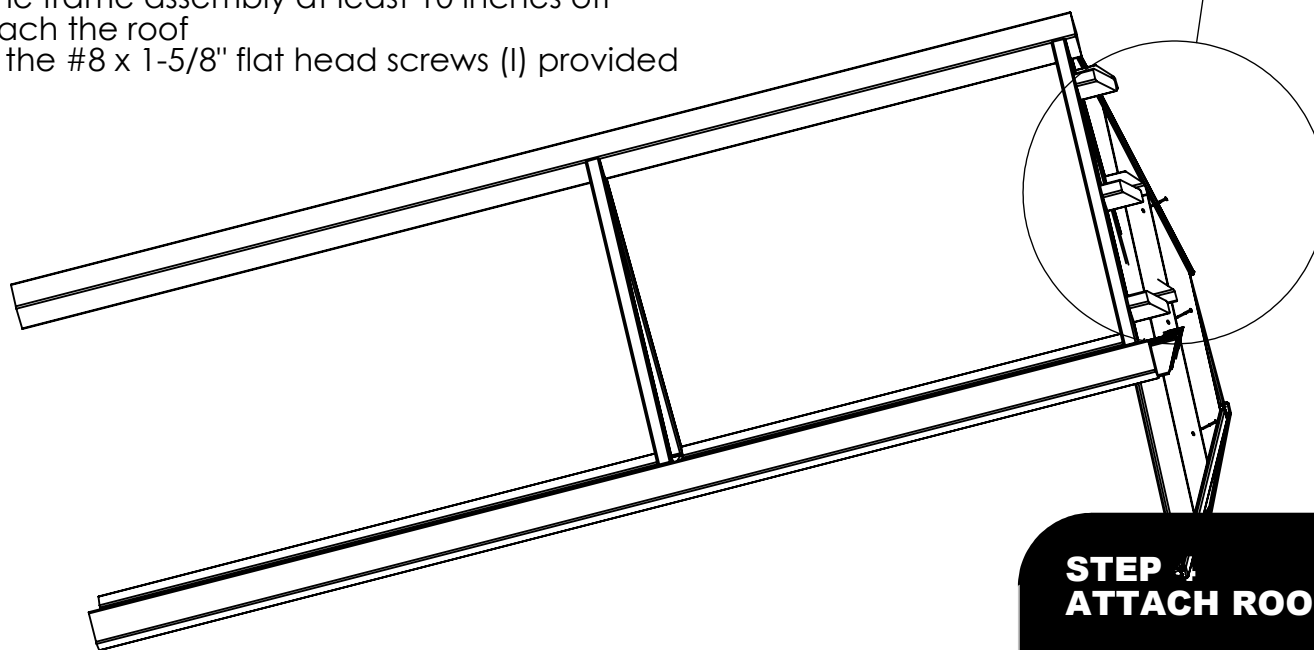


# 3 SIDED KIOSK INSTRUCTIONS



## Attach Roof

- Raise the top of the frame assembly at least 10 inches off the ground to attach the roof
- Secure roof using the #8 x 1-5/8" flat head screws (I) provided

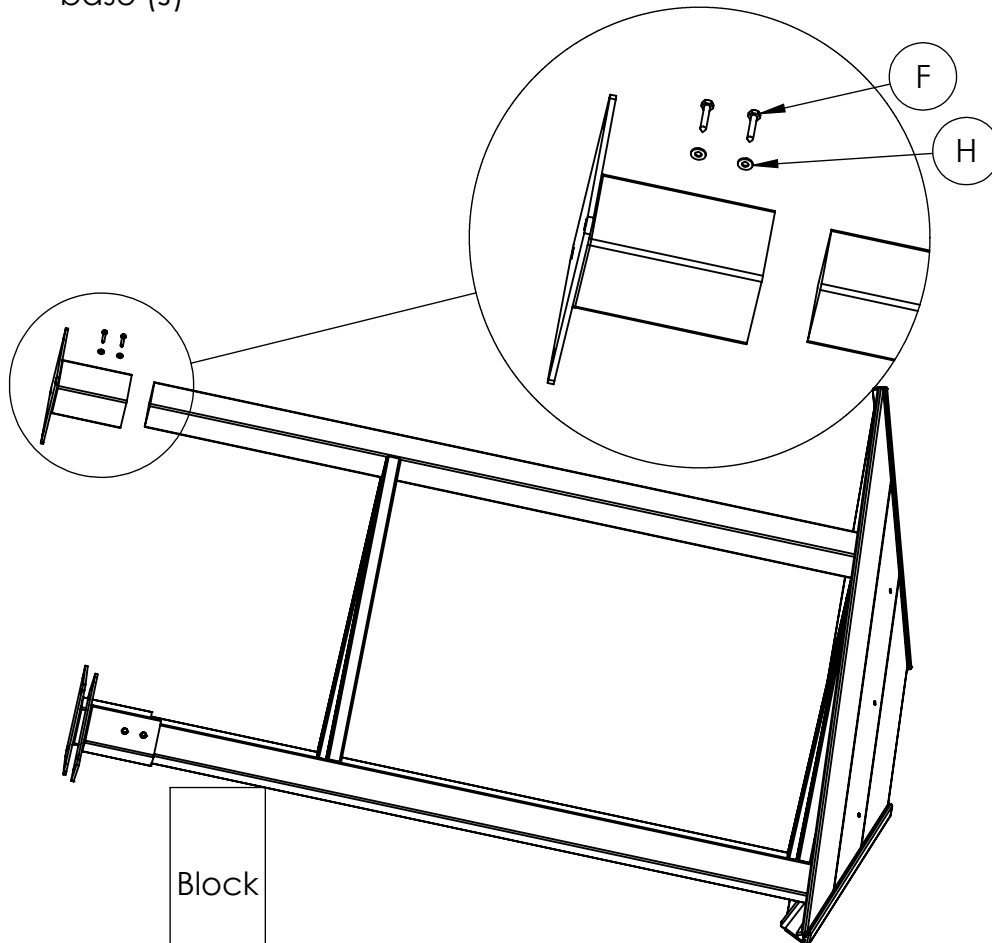




# 3 SIDED KIOSK INSTRUCTIONS

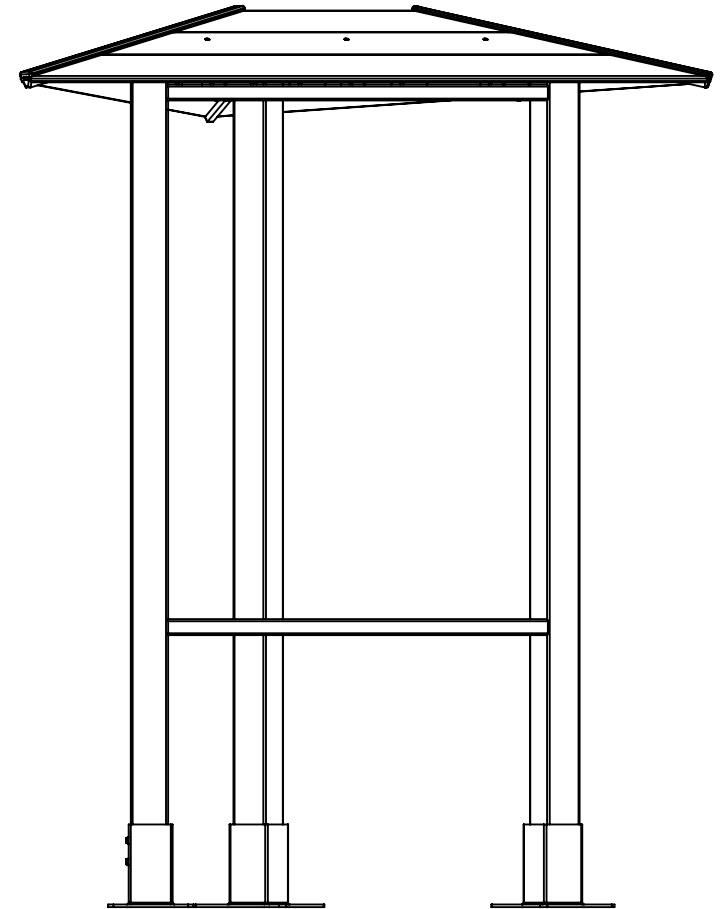
## Surface Mount

- Place a piece of cardboard underneath the edge of the roof (C)
- Move the blocks to the base of the frame assembly
- Attach the mounting bases (J) using two 1/4" x 1-1/2" lag screws (F) and two 1/4" flat washers (H) per mounting base (J)



## Surface Mount

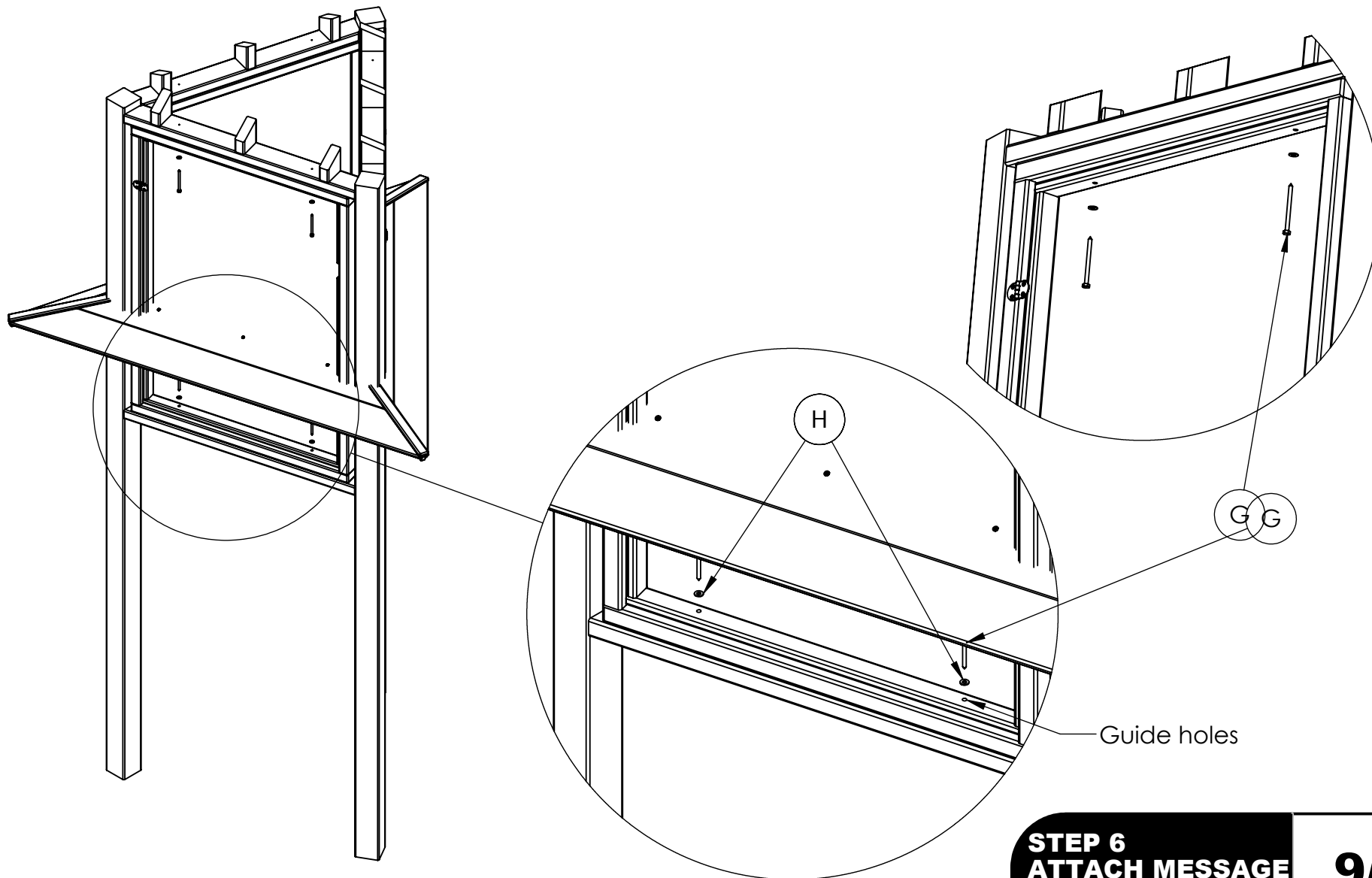
- Stand the assembly upright and place in desired location
- Mark the hole locations on the ground
- Use the appropriate mounting hardware for your location and secure the frame assembly to the ground



# 3 SIDED KIOSK INSTRUCTIONS

## Attach Message Centers

- Set a message center (B) into the frame assembly
- Insert four 1/4" x 3-1/2" lag screws (G) and 1/4" flat washer (H)
- through the guide holes in the top and bottom of the message center (B)
- Tighten and repeat for the other two message centers

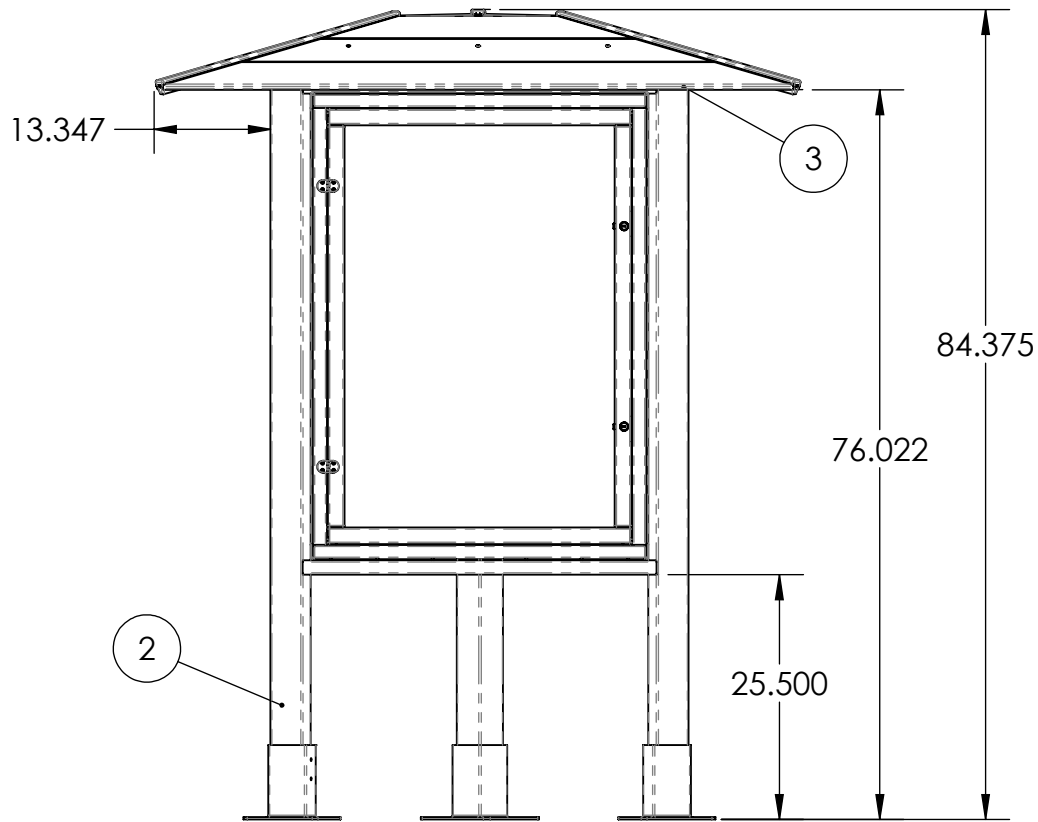


**STEP 6**  
**ATTACH MESSAGE**  
**CENTERS**

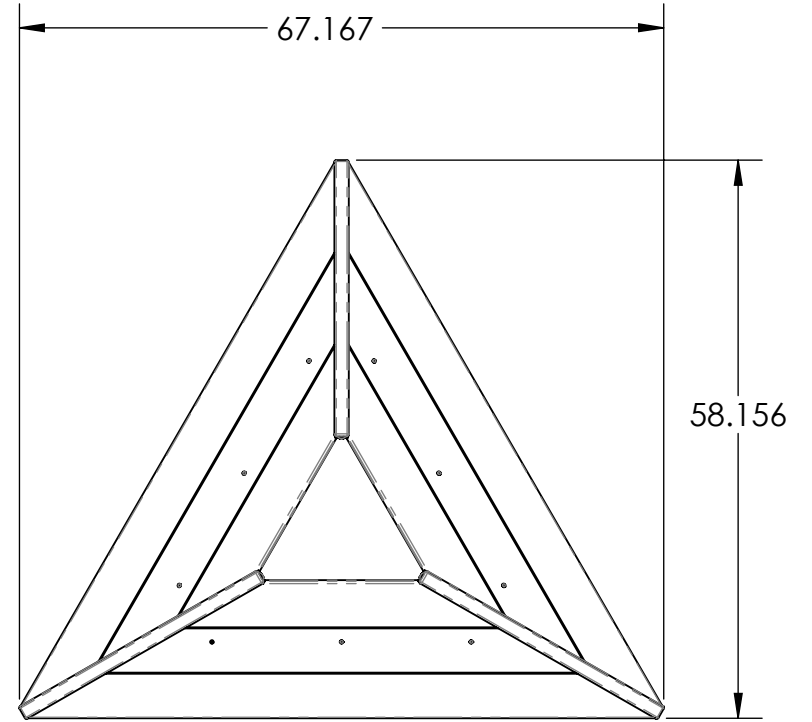
**9/9**

# THREE-SIDED KIOSK SURFACE MOUNT

MC3225 REV #2  
2/26/2019



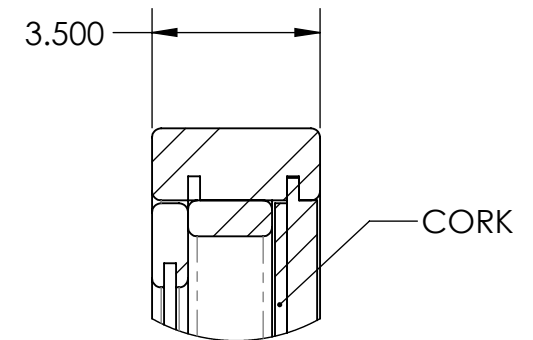
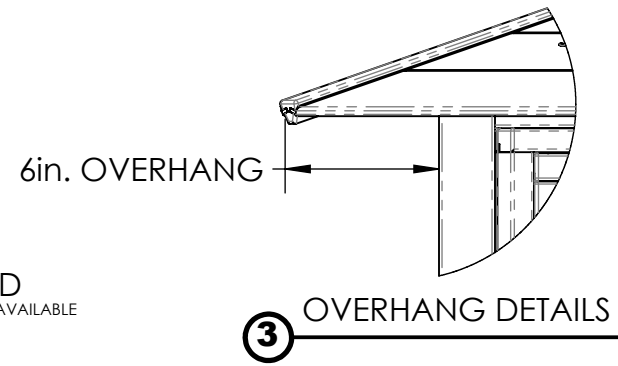
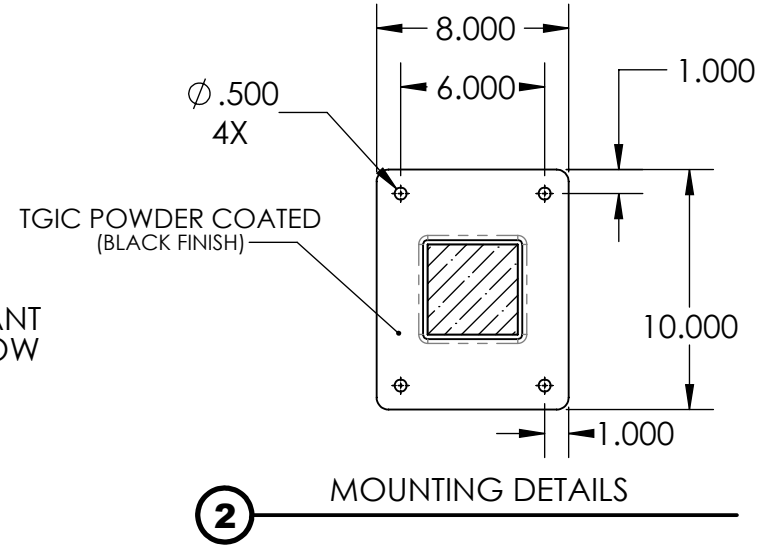
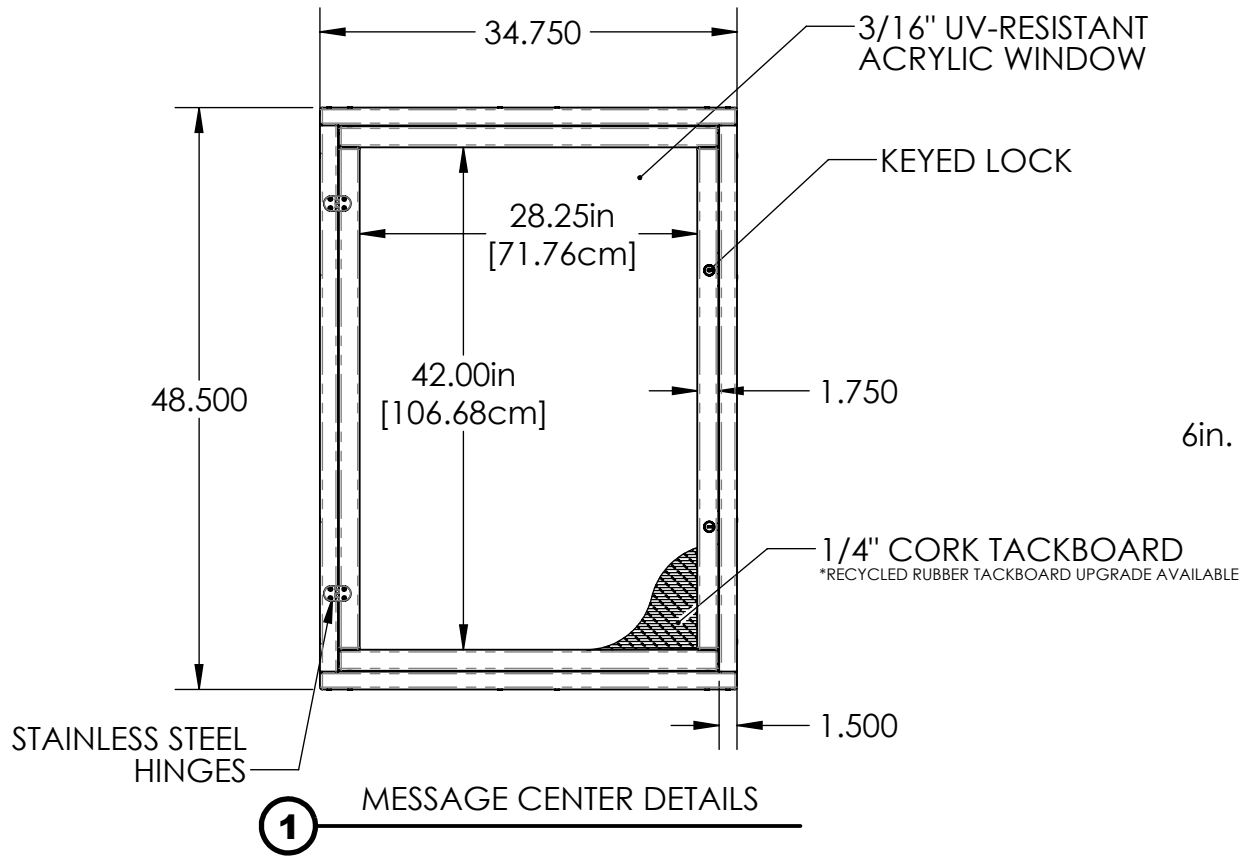
**FRONT**



**TOP**

# THREE-SIDED KIOSK SURFACE MOUNT

MC3225 REV #2  
2/26/2019



HARDWARE: STAINLESS STEEL  
MATERIAL: RECYCLED PLASTIC, ACRYLIC, 1/4" CORK